

End-stroke valves

VFC 1/2 G na

Tech sheet

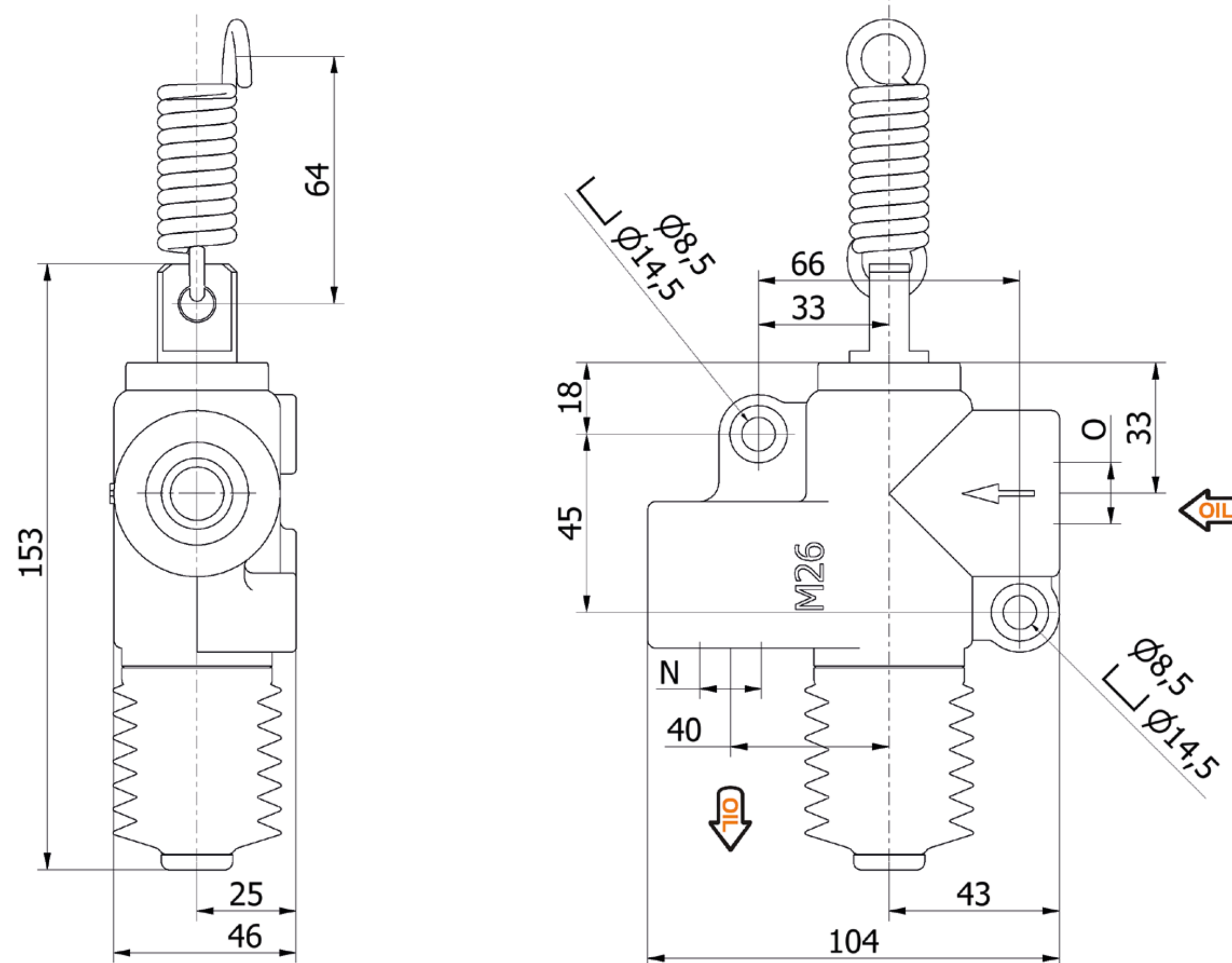
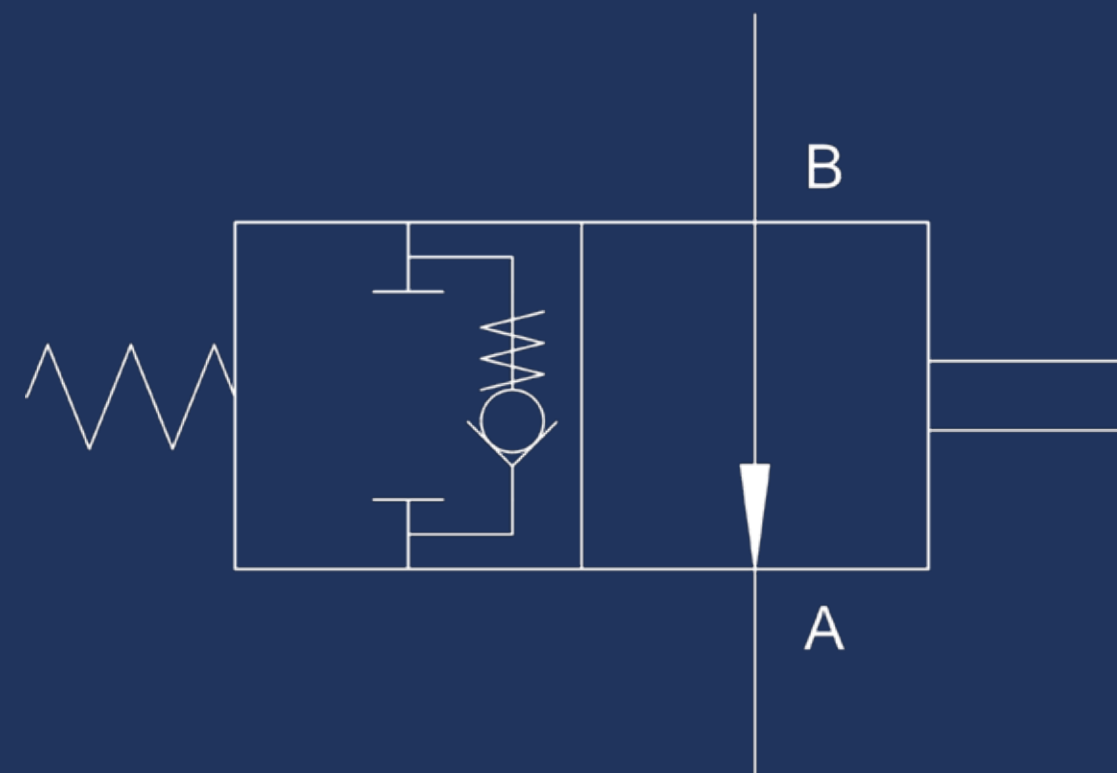
DETAILS

normally open
2 position
with mechanic control for tipping trucks

SPECIFICATIONS

Cast iron body
Piston treated with Niploy
White zinc plated external parts
Standard colour black

HYDRAULIC DIAGRAM



| N-O GAS | A mm | B mm | C mm | D ° | E ° | FLOW liters/min | PRESSURE BAR | | MASS KG | CODE |
|------------|---------|---------|---------|--------|--------|--------------------|--------------|-----|------------|-----------|
| | | | | | | | OPTIMAL | MAX | | |
| 1/2 | -- | -- | -- | -- | -- | 80 | -- | 250 | 1,800 | 6200.0012 |
| | | | | | | | | | | |
| | | | | | | | | | | |
| | | | | | | | | | | |
| | | | | | | | | | | |



HV Hydraulic s.r.l. | Take YOU to another WORLD

Head Office
Via dell'Agricoltura, 162 Loc. Castello di Serravalle
40053 VALSAMOGGIA (BO) Italy

Warehouse
Via del Lavoro, 111 e 135 Loc. Castello di Serravalle
40053 VALSAMOGGIA (BO) Italy