

End-stroke valves

VFC 1 G na

Tech sheet

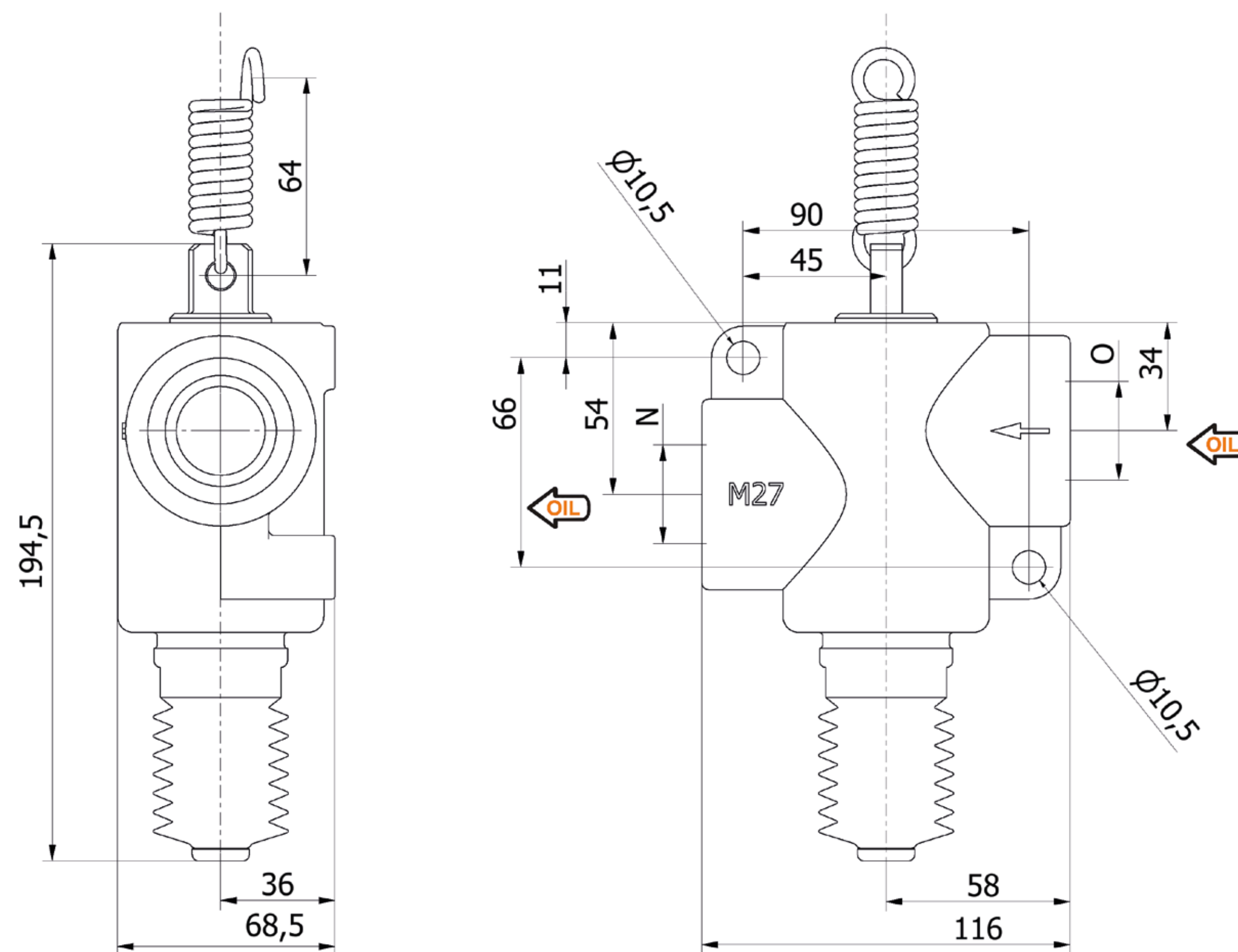
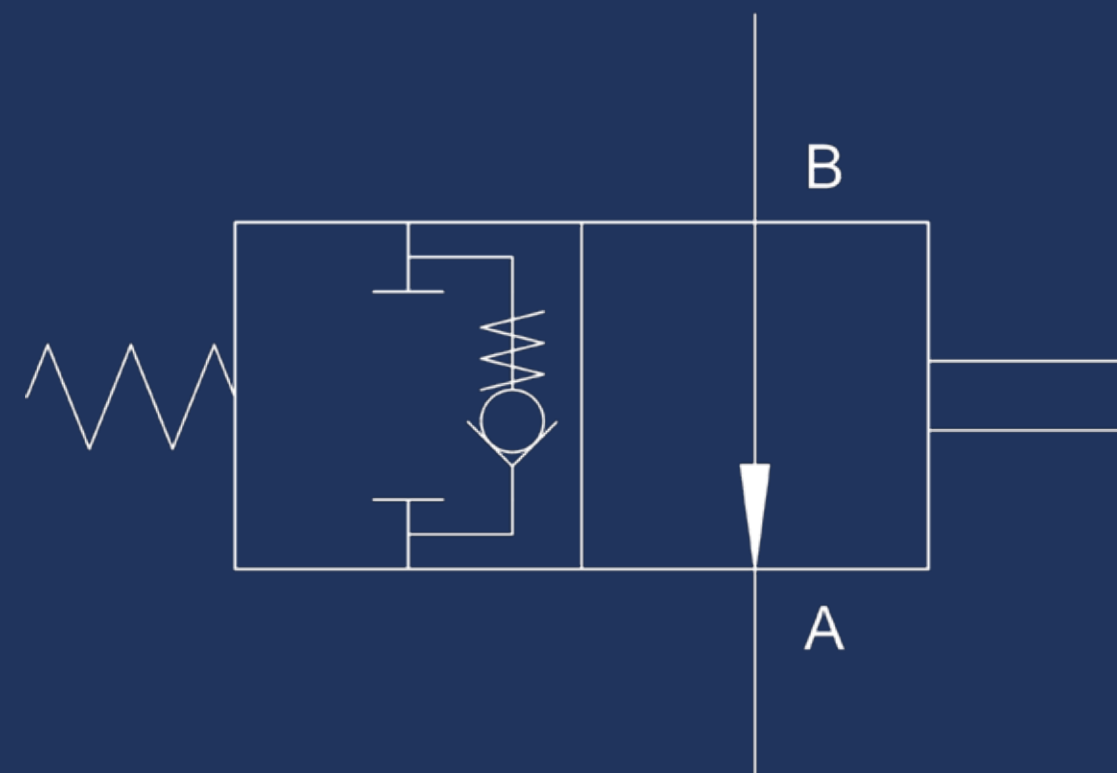
DETAILS

normally open
2 position
with mechanic control for tipping trucks

SPECIFICATIONS

Cast iron body
Piston treated with Niploy
White zinc plated external parts
Standard colour black

HYDRAULIC DIAGRAM



N-O GAS	A mm	B mm	C mm	D °	E °	FLOW liters/min	PRESSURE BAR		MASS KG	CODE
							OPTIMAL	MAX		
1	--	--	--	--	--	140	--	200	2,500	6200.0016



HV Hydraulic s.r.l. | Take YOU to another WORLD

Head Office
Via dell'Agricoltura, 162 Loc. Castello di Serravalle
40053 VALSAMOGGIA (BO) Italy

Warehouse
Via del Lavoro, 111 e 135 Loc. Castello di Serravalle
40053 VALSAMOGGIA (BO) Italy