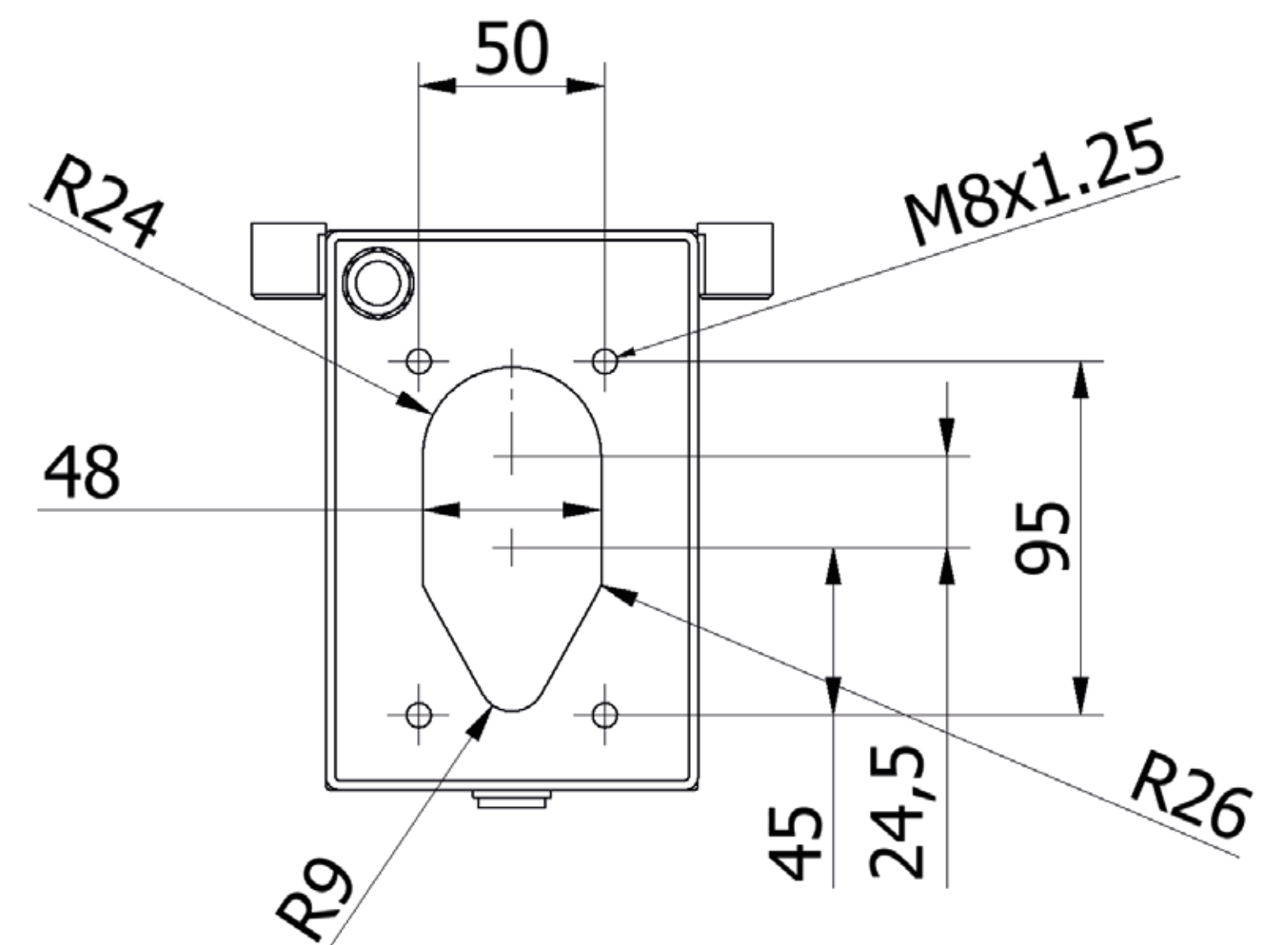
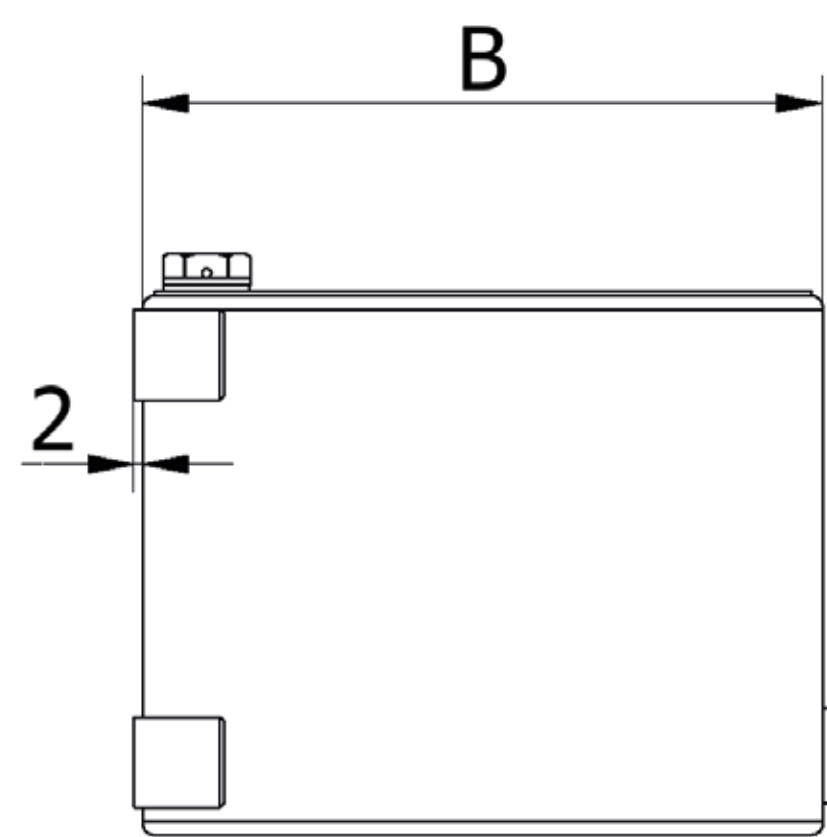
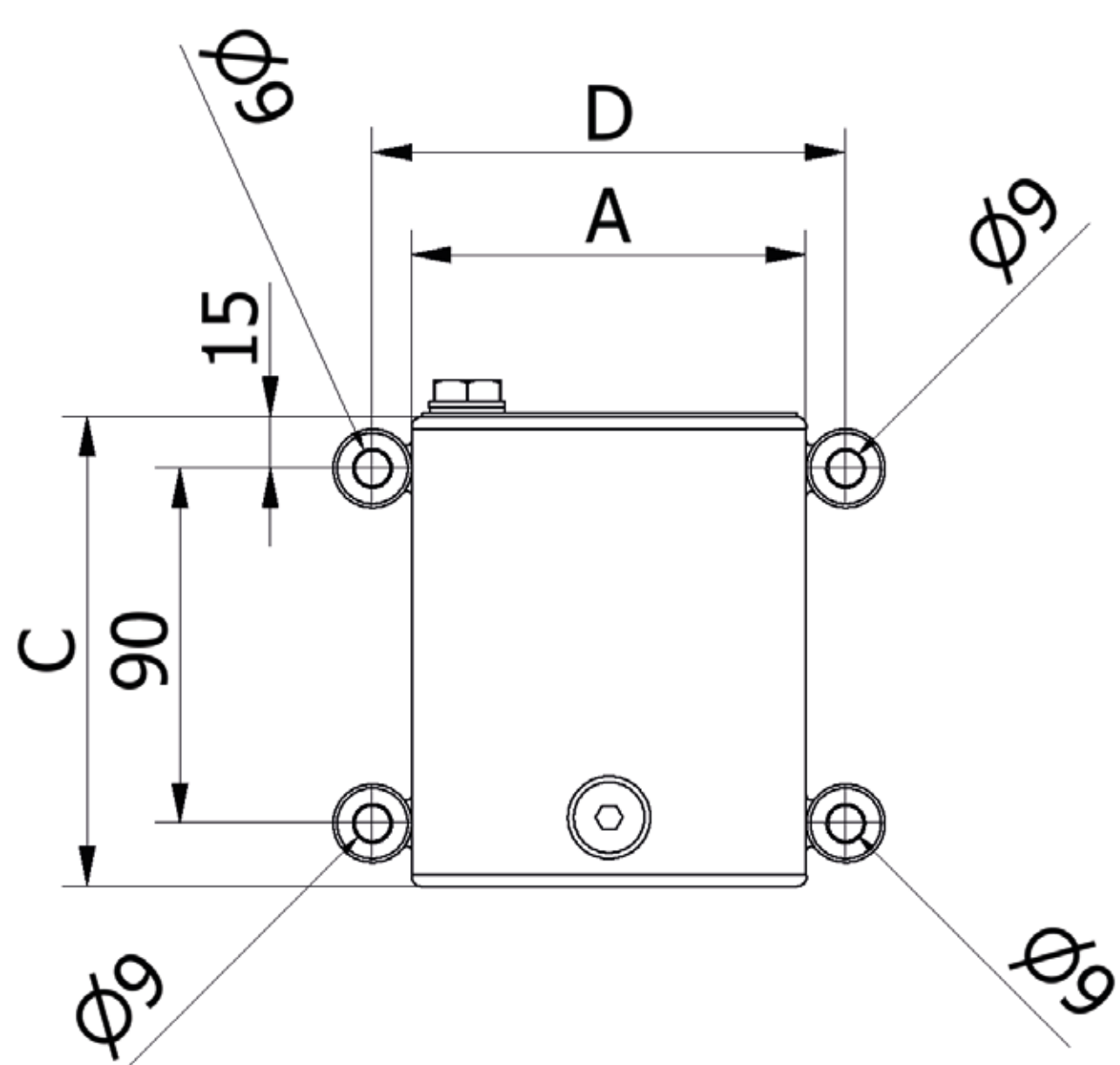
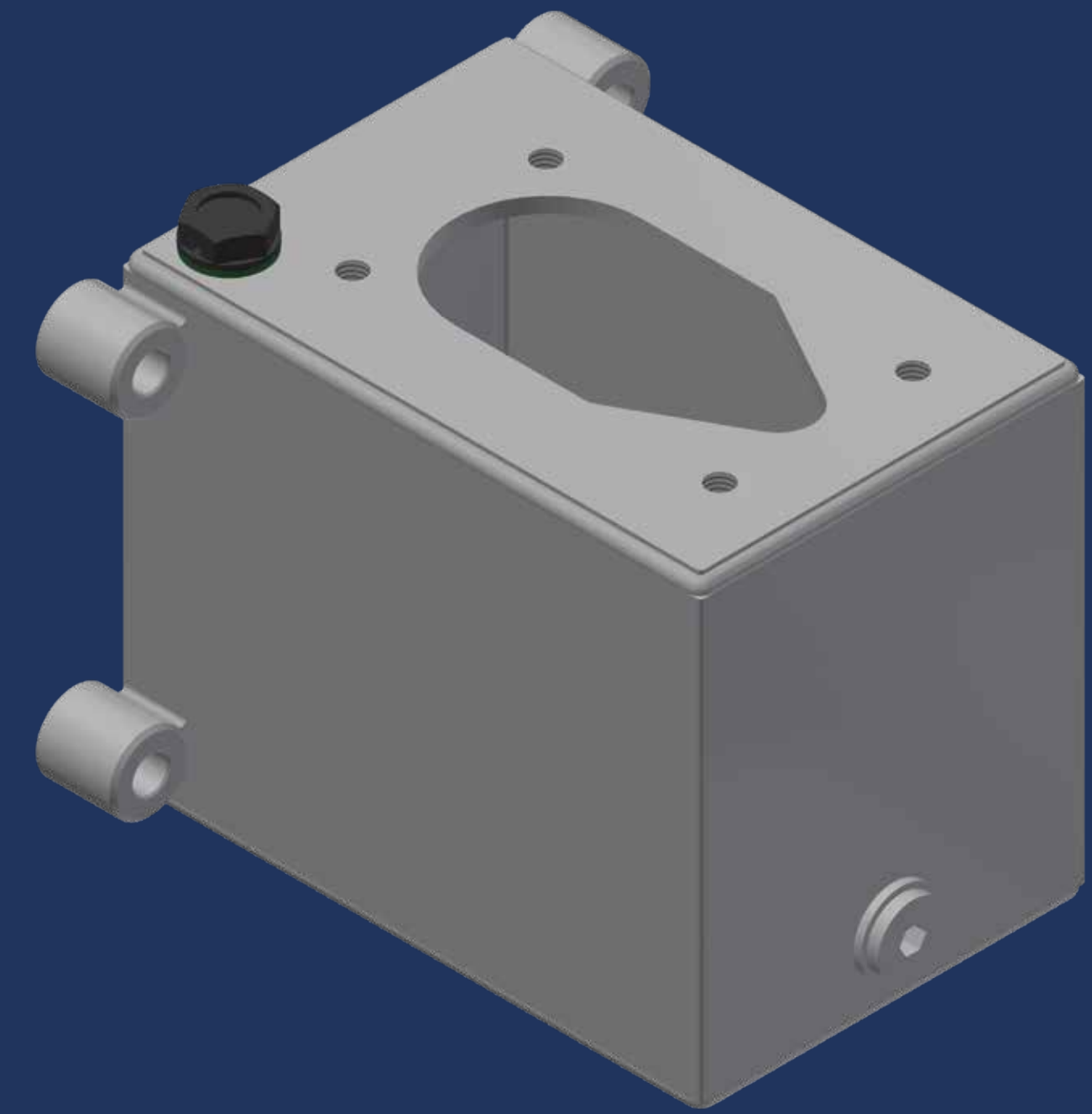


DETAILS

Stainless steel (AISI 316) oil tank for hand pumps lt. 1

SPECIFICATIONS

Model S1 AISI-316
Suction pipe included
Breather cap 1/4 G
Release cap 1/4 G



CAPACITY liters	A mm	B mm	C mm	D mm	MASS KG	SUCTION PIPE	CODE
1	100	150	120	120	2,200	$\phi 10 \times 85$ mm	6500.0267