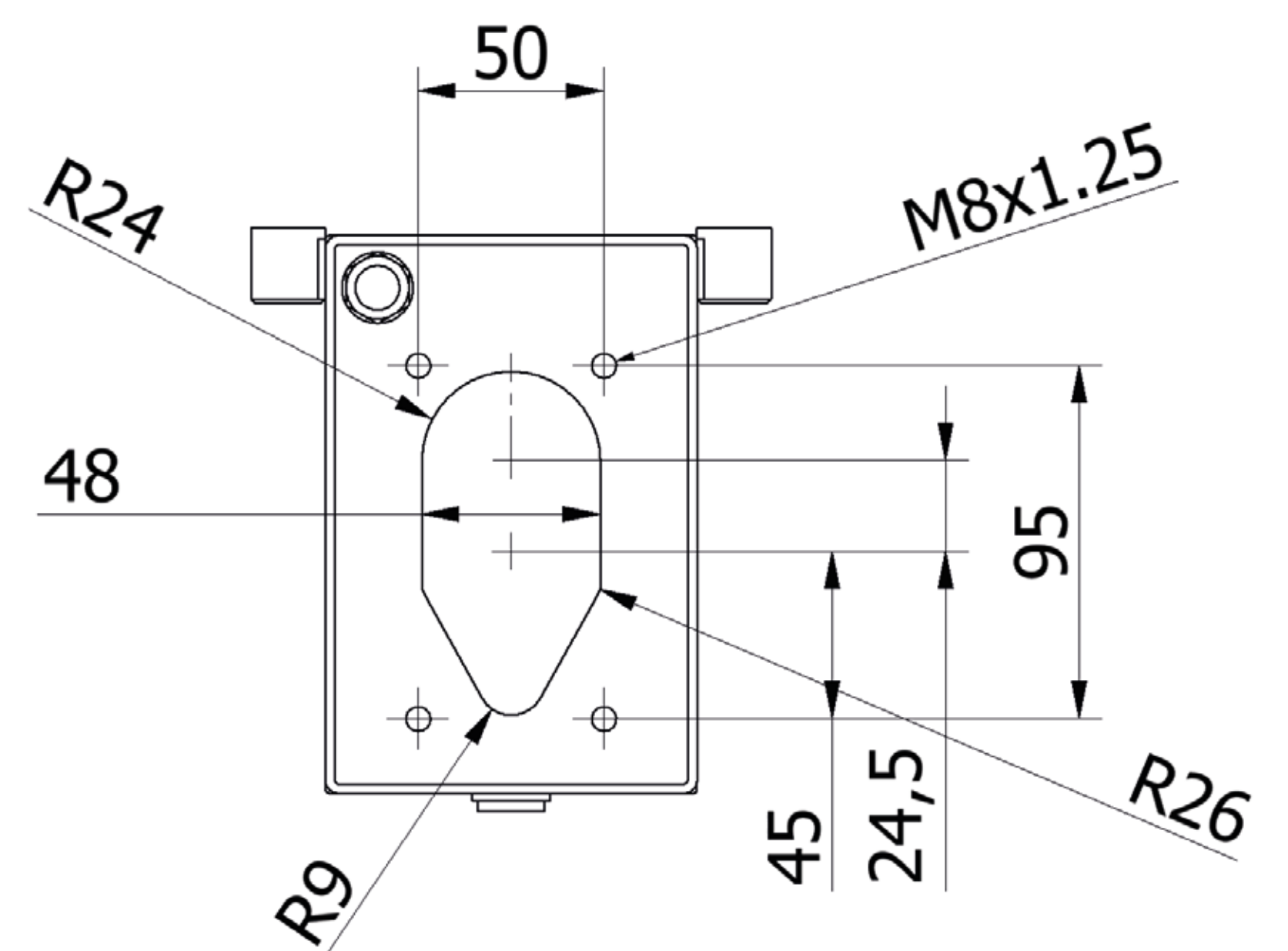
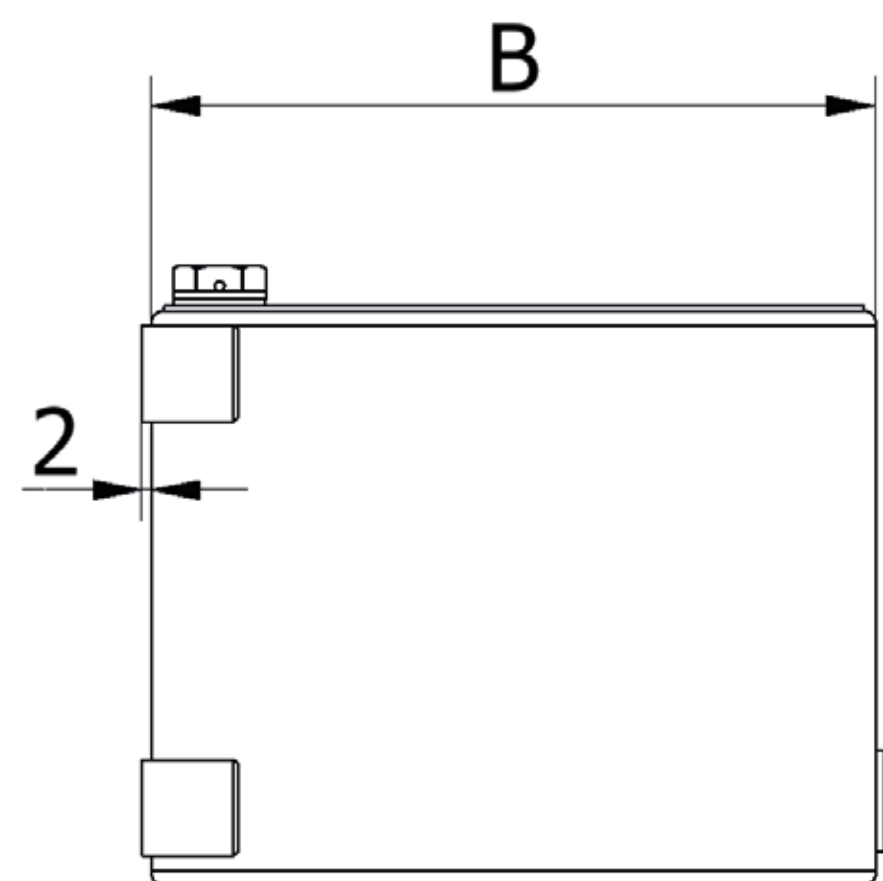
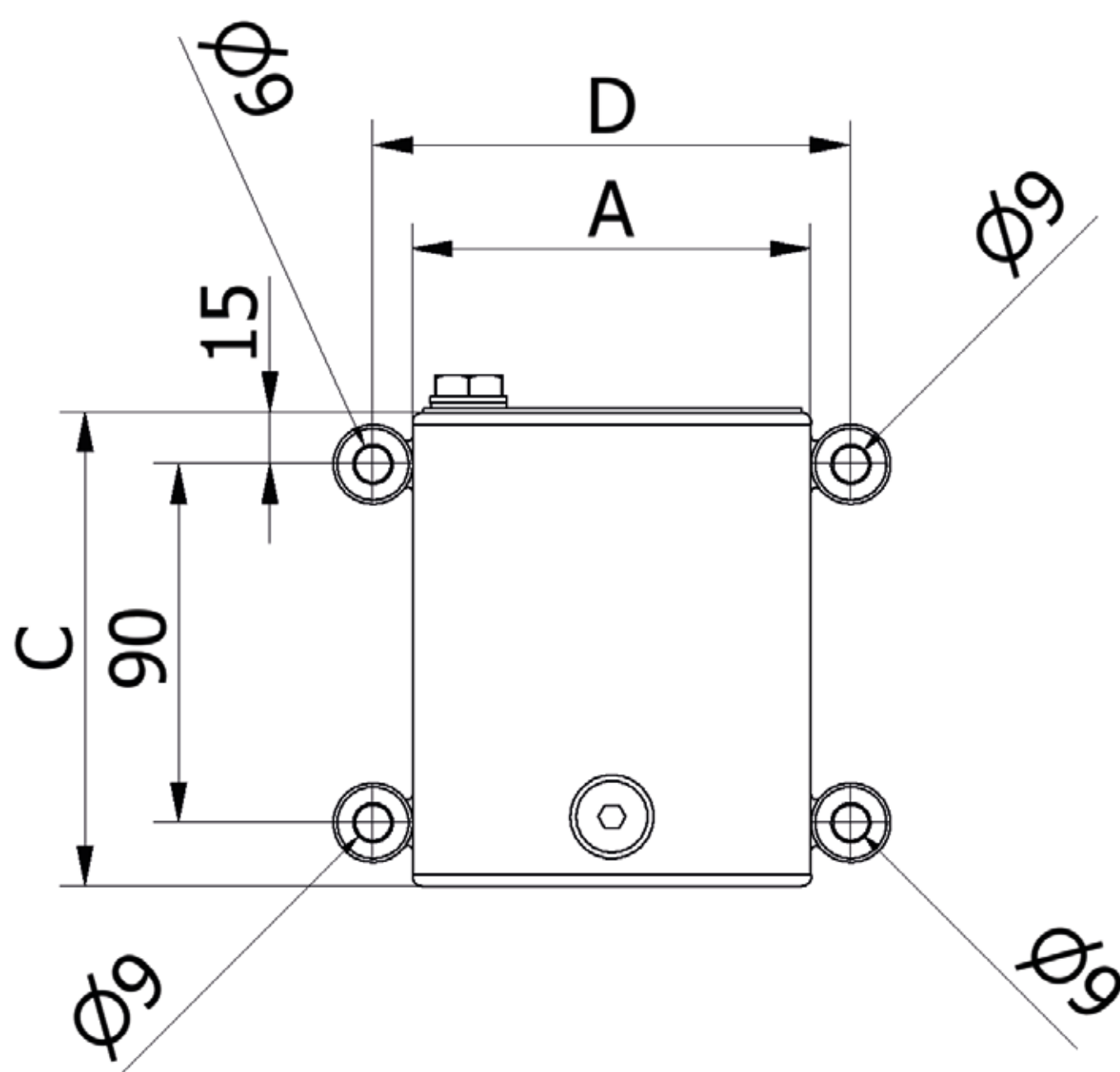
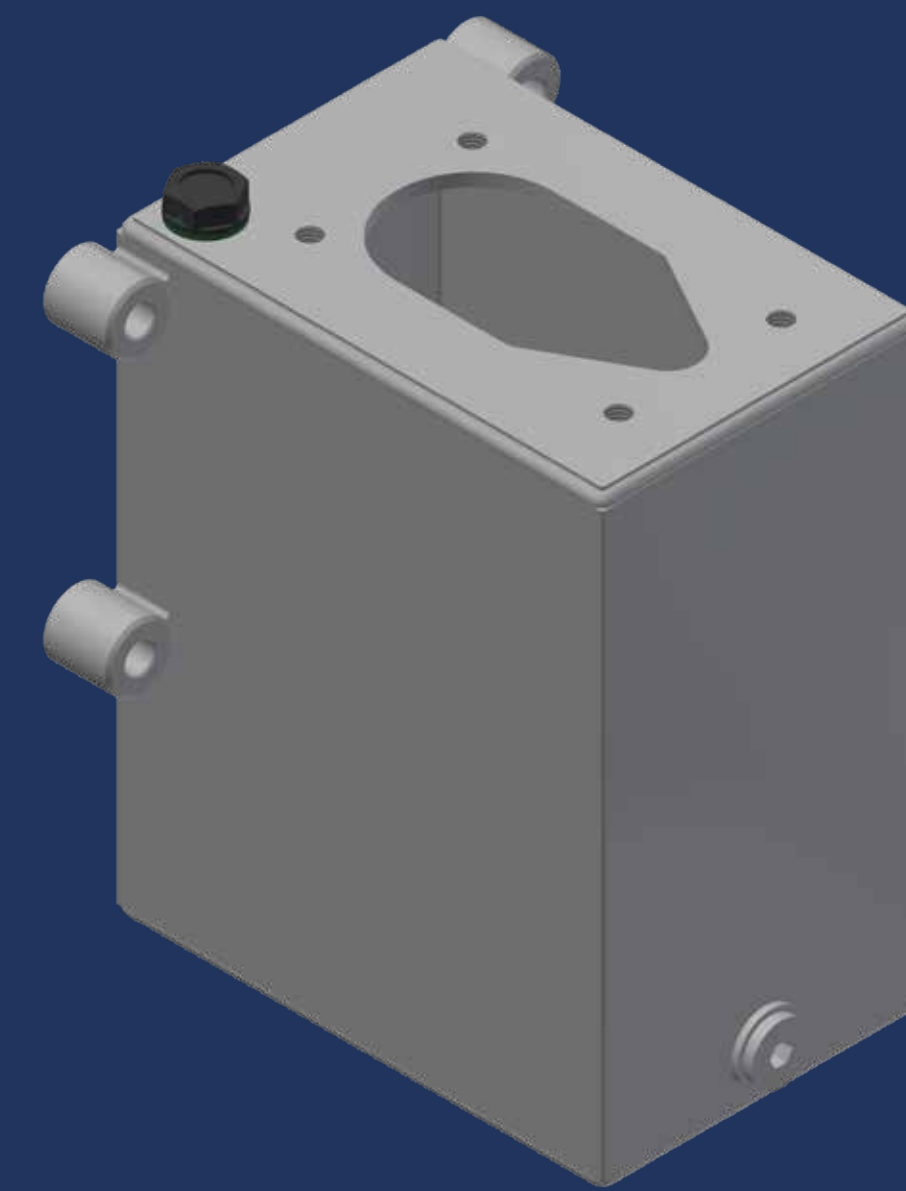


DETAILS

Stainless steel (AISI 316) oil tank for hand pumps lt. 2

SPECIFICATIONS

Model S2 AISI-316
Suction pipe included
Breather cap 1/4 G
Release cap 1/4 G



CAPACITY liters	A mm	B mm	C mm	D mm	MASS KG	SUCTION PIPE	CODE
2	100	150	185	120	3,000	Ø10x114 mm	6500.0268