

Diverter valves

D3 SAE

Tech sheet

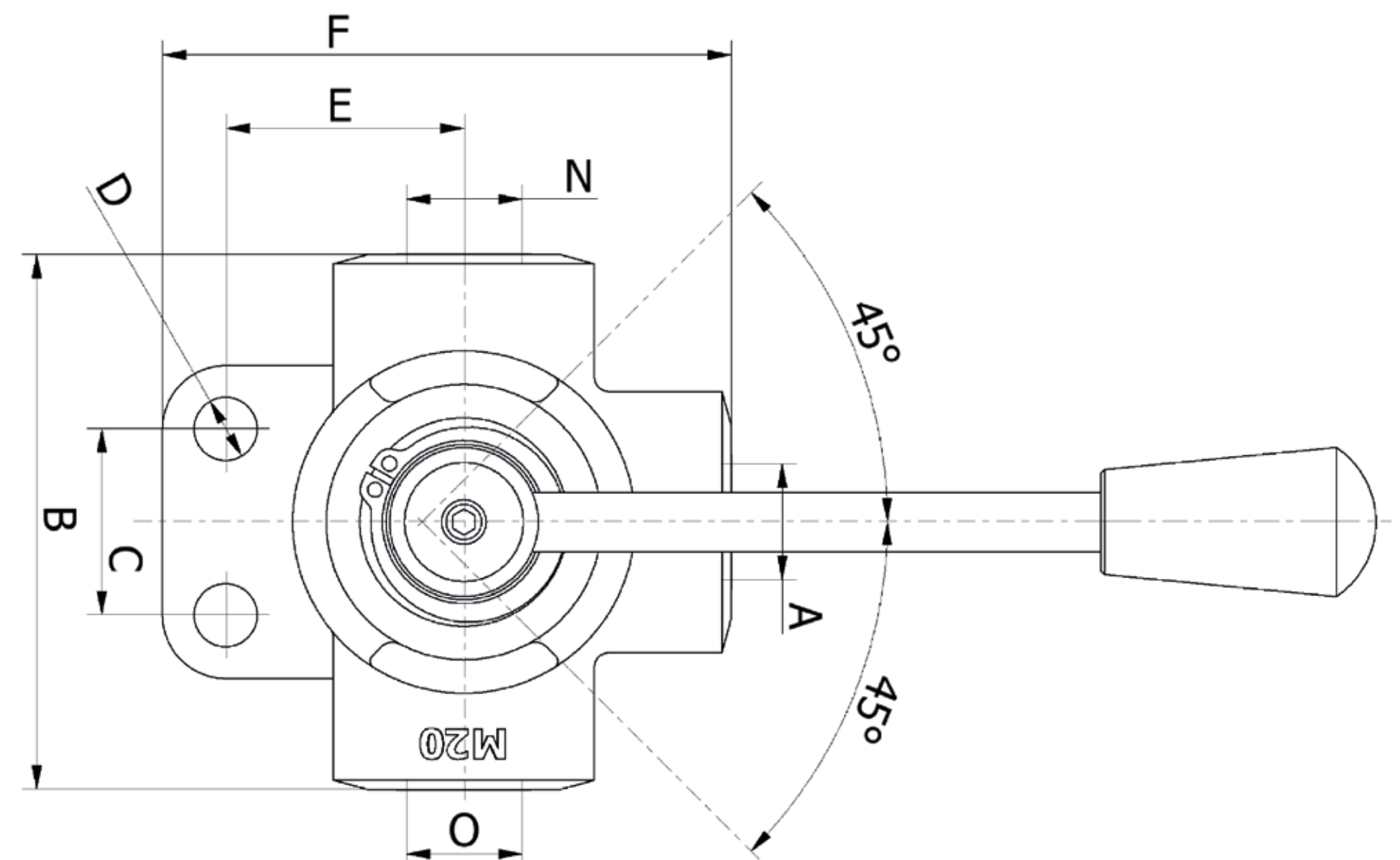
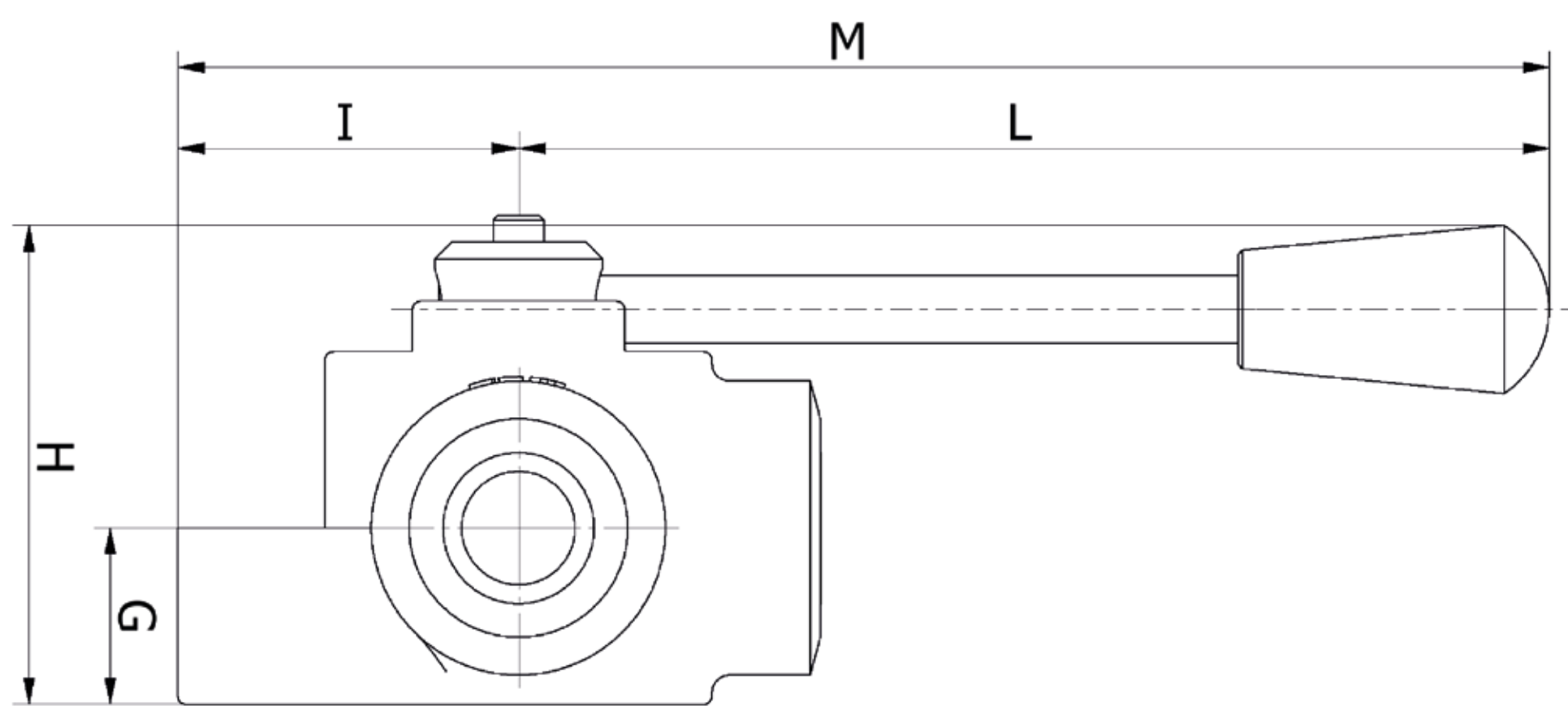
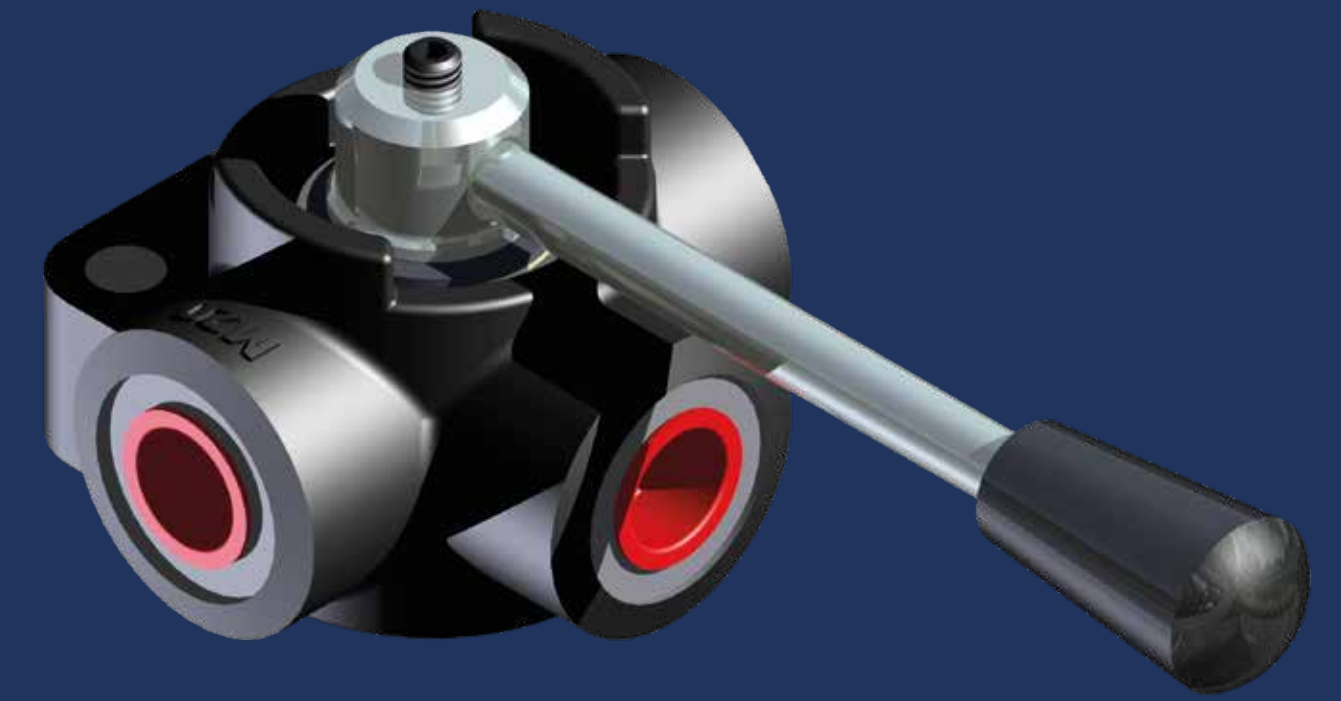
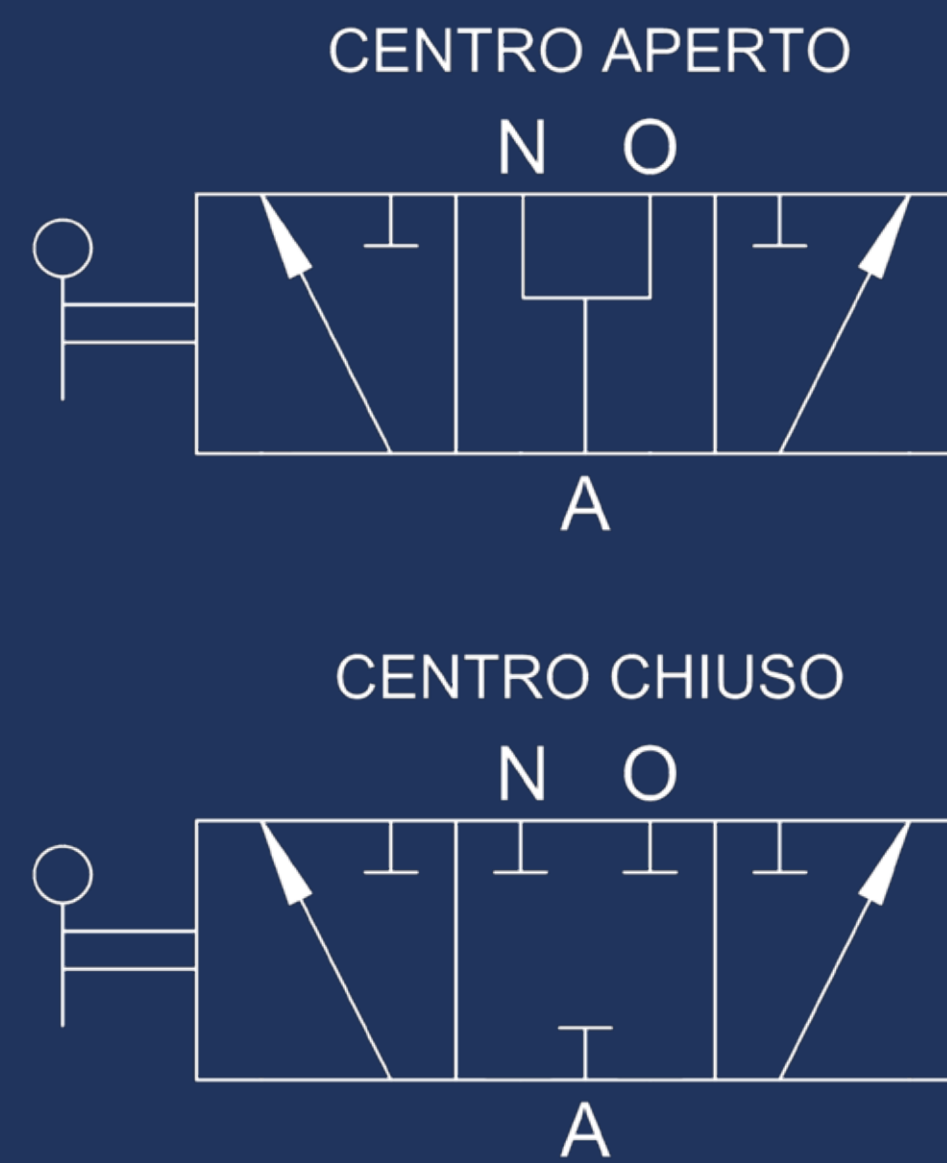
DETAILS

3 ways flow divider

SPECIFICATIONS

Iron cast body
White zinc plated external parts
Standard colour black

HYDRAULIC DIAGRAM



SAE	FLOW liters/min	PRESSURE BAR	B mm	C mm	D mm	E mm	F mm	G mm	H mm	L mm	M mm	MASS KG	CODE OF OPEN CENTRE	CODE OF CLOSED CENTRE
3/4 - 16	60	350	70	25	8,5	32	75,5	21	57	115	155,5	0,800	7000.0200	7000.0207
7/8 - 14	90	350	80	32	8,5	36	86	24	63	115	161	1,200	7000.0201	7000.0208
1 1/16 - 12	120	350	90	32	10,5	42	98,5	26	67	115	168,5	1,800	7000.0202	7000.0209
1 5/16 - 12	200	300	98	32	10,5	50	110	31	77	115	176,5	2,700	7000.0203	7000.0210



HV Hydraulic s.r.l. | Take YOU to another WORLD

Head Office
Via dell'Agricoltura, 162 Loc. Castello di Serravalle
40053 VALSAMOGGIA (BO) Italy

Warehouse
Via del Lavoro, 111 e 135 Loc. Castello di Serravalle
40053 VALSAMOGGIA (BO) Italy