

Inverter valves

D4 SAE

Tech sheet

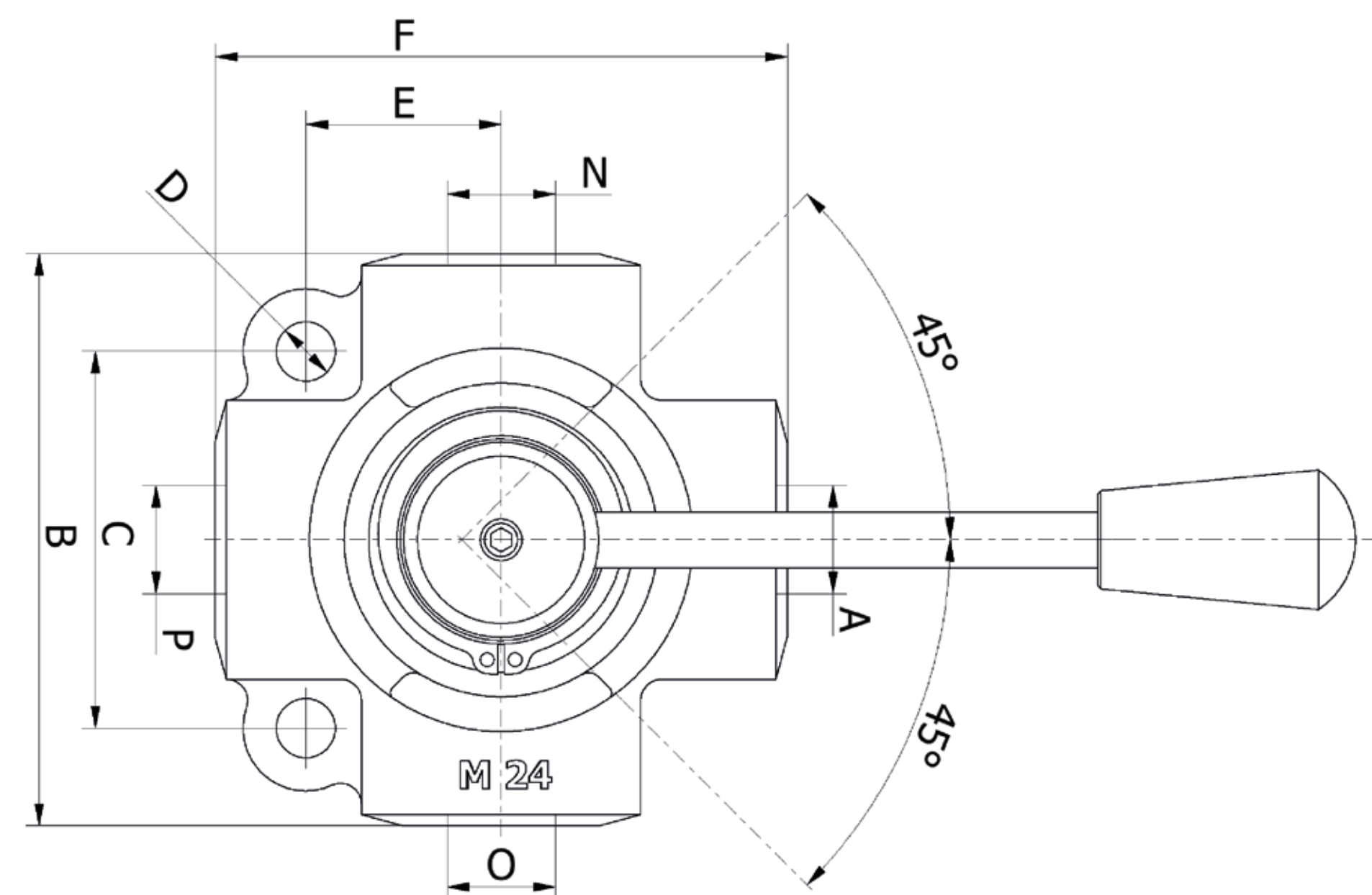
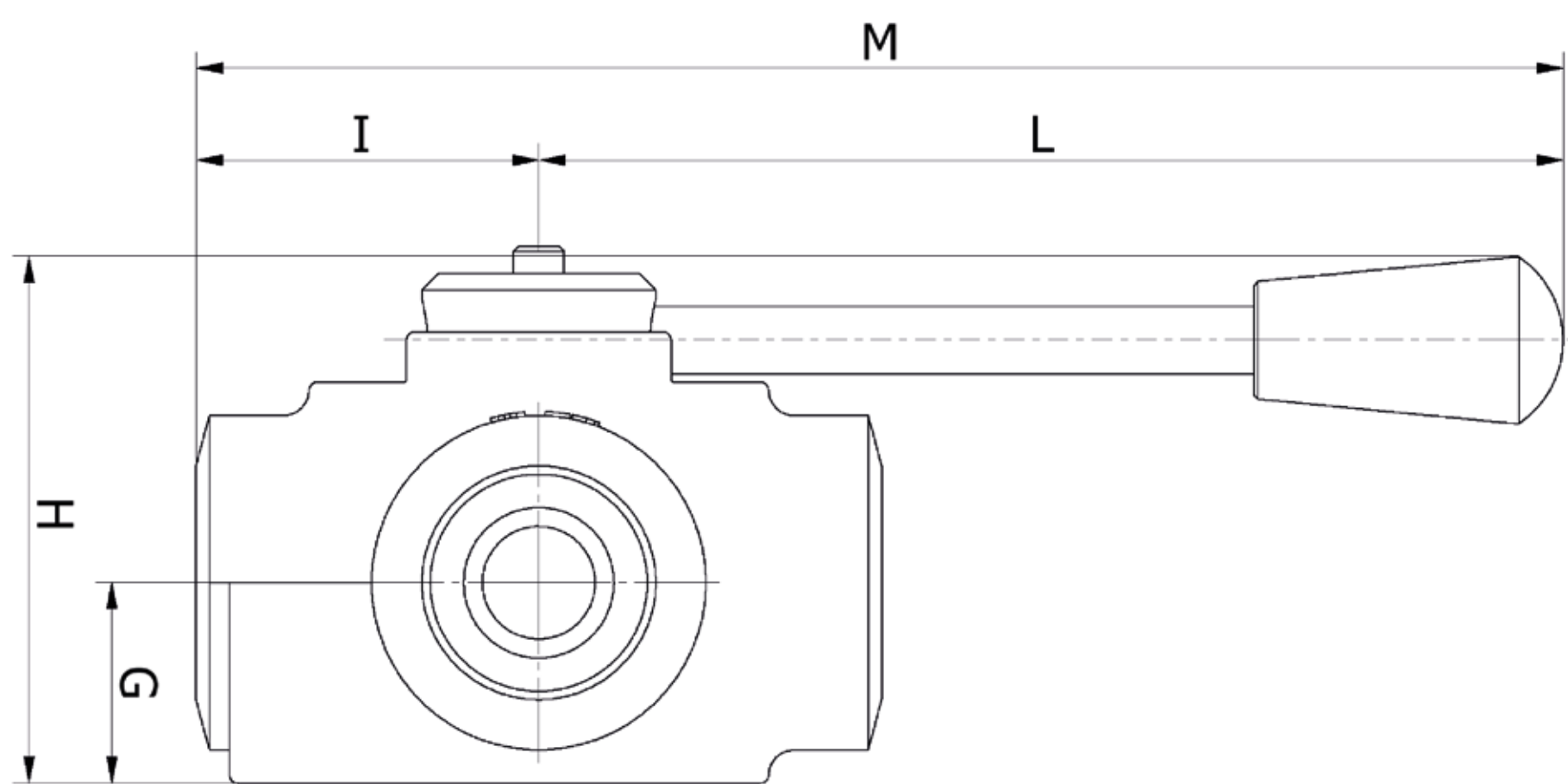
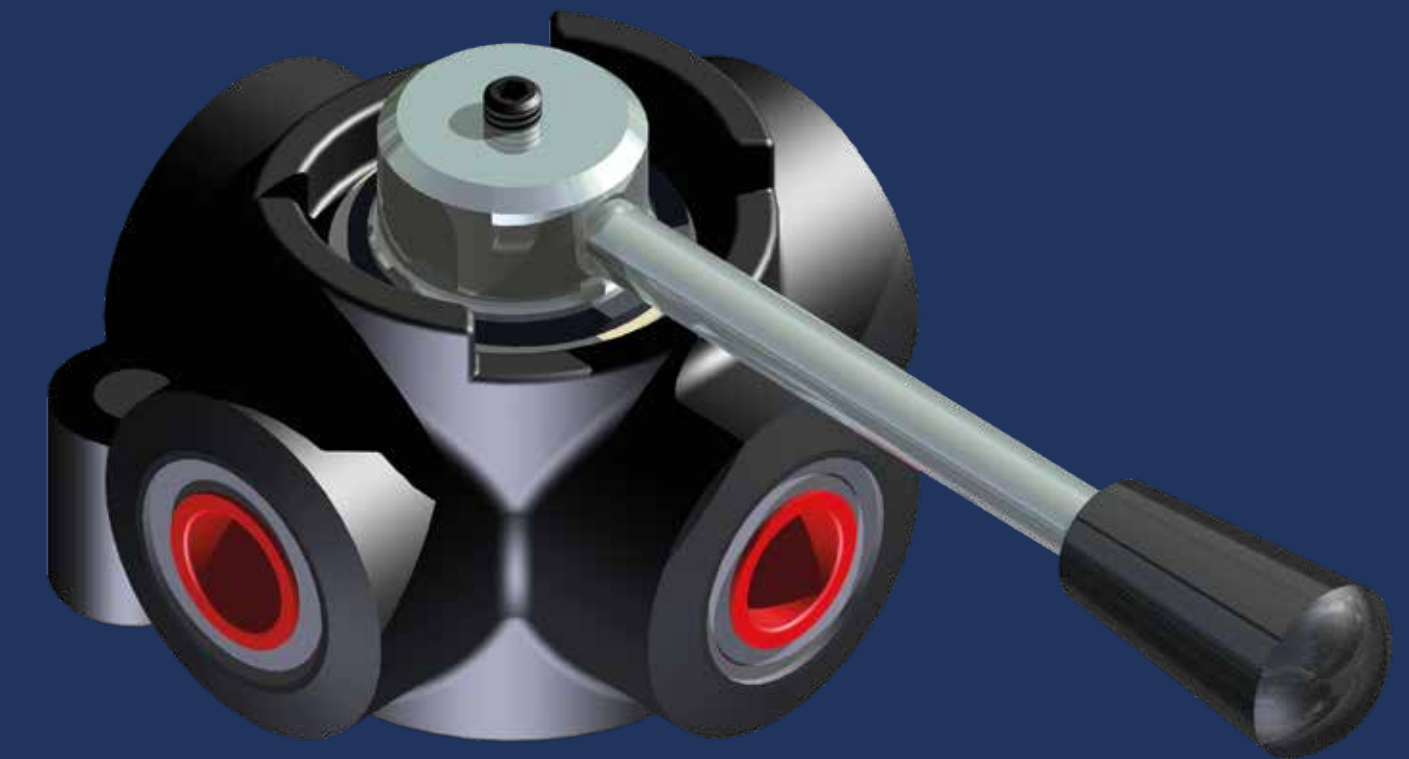
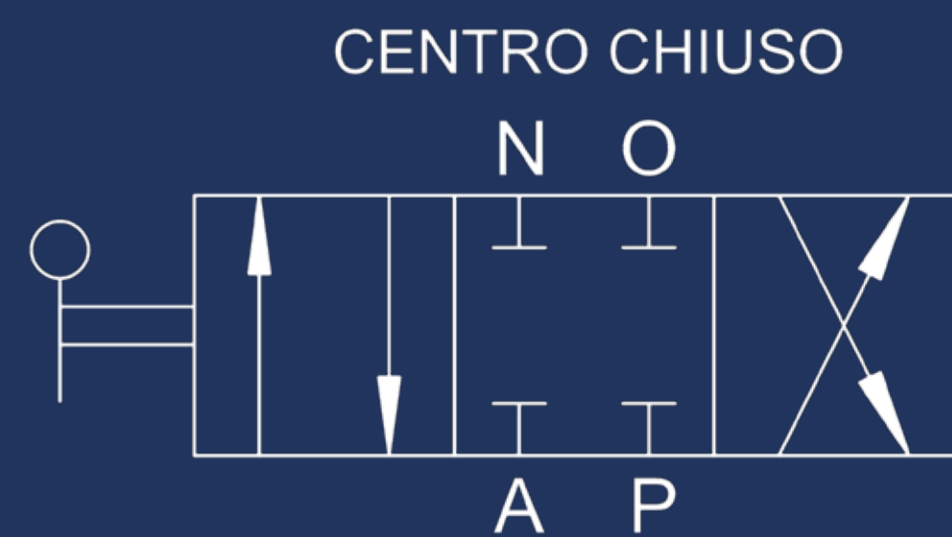
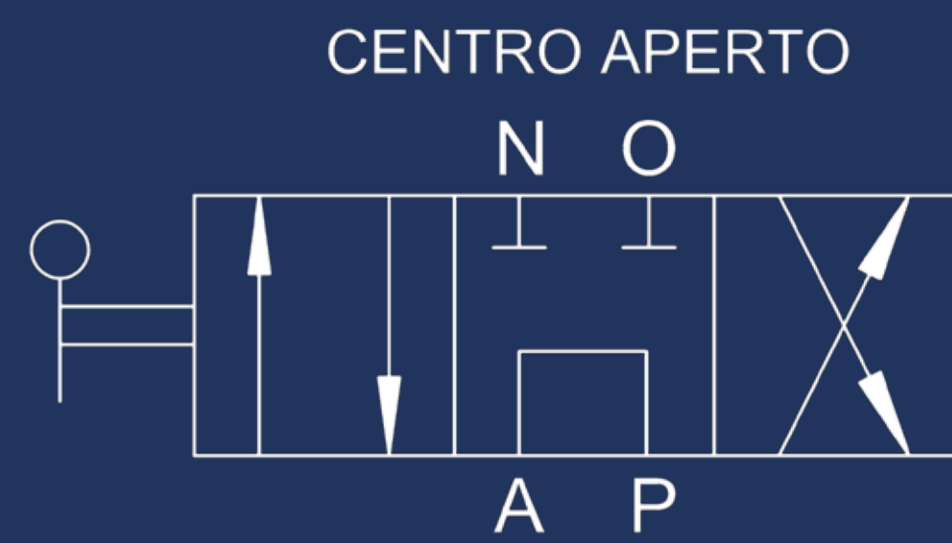
DETAILS

4 ways flow divider

SPECIFICATIONS

Iron cast body
White zinc plated external parts
Standard colour black

HYDRAULIC DIAGRAM



SAE	FLOW liters/min	PRESSURE BAR	B mm	C mm	D mm	E mm	F mm	G mm	H mm	L mm	M mm	MASS KG	CODE OF OPEN CENTRE	CODE OF CLOSED CENTRE
3/4 - 16	60	350	80	54	8,5	28	80	24	63	115	155	1,200	7001.0200	7001.0207
7/8 - 14	90	350	80	54	8,5	28	80	24	63	115	155	1,100	7001.0201	7001.0208
1 1/16 - 12	120	350	94	74	10,5	38	94	31	77	115	162	2,200	7001.0202	7001.0209
1 5/16 - 12	200	300	94	74	10,5	38	94	31	77	115	162	2,000	7001.0203	7001.0210



HV Hydraulic s.r.l. | Take YOU to another WORLD

Head Office
Via dell'Agricoltura, 162 Loc. Castello di Serravalle
40053 VALSAMOGGIA (BO) Italy

Warehouse
Via del Lavoro, 111 e 135 Loc. Castello di Serravalle
40053 VALSAMOGGIA (BO) Italy