

**Hand pumps**

**PM 12-25-45 by B-AISI-316 (VMQ)**

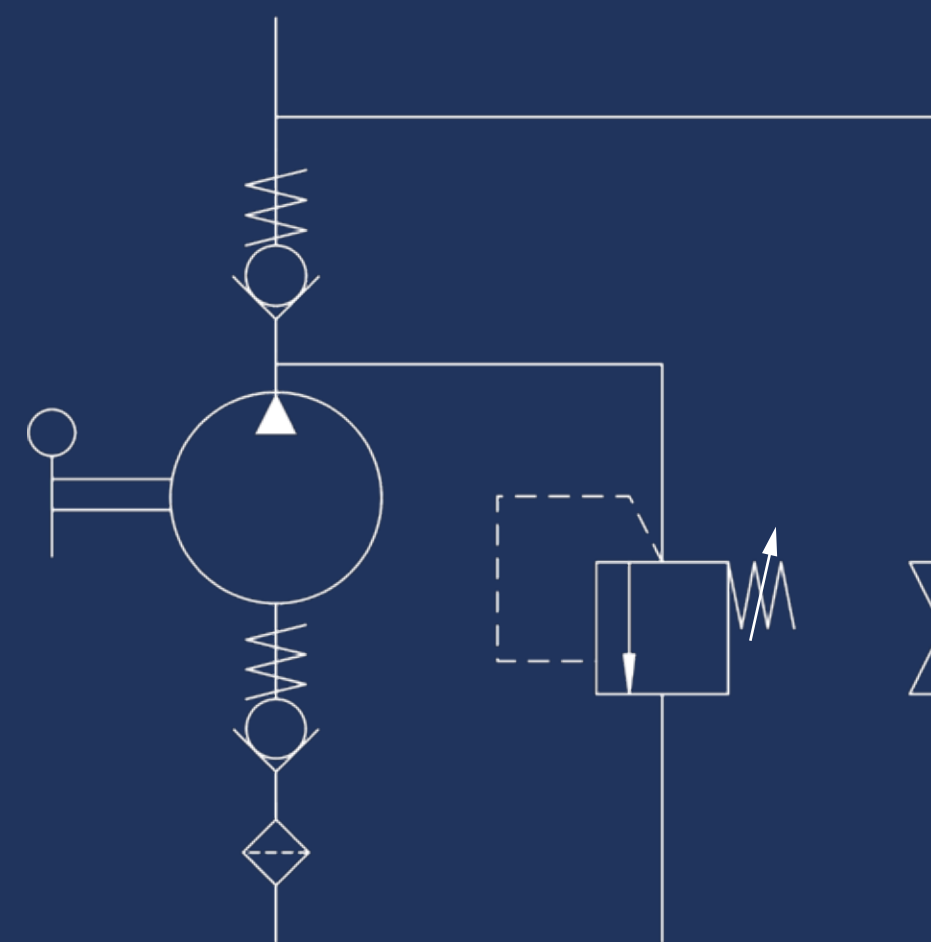
**Tech sheet**

**DETAILS**

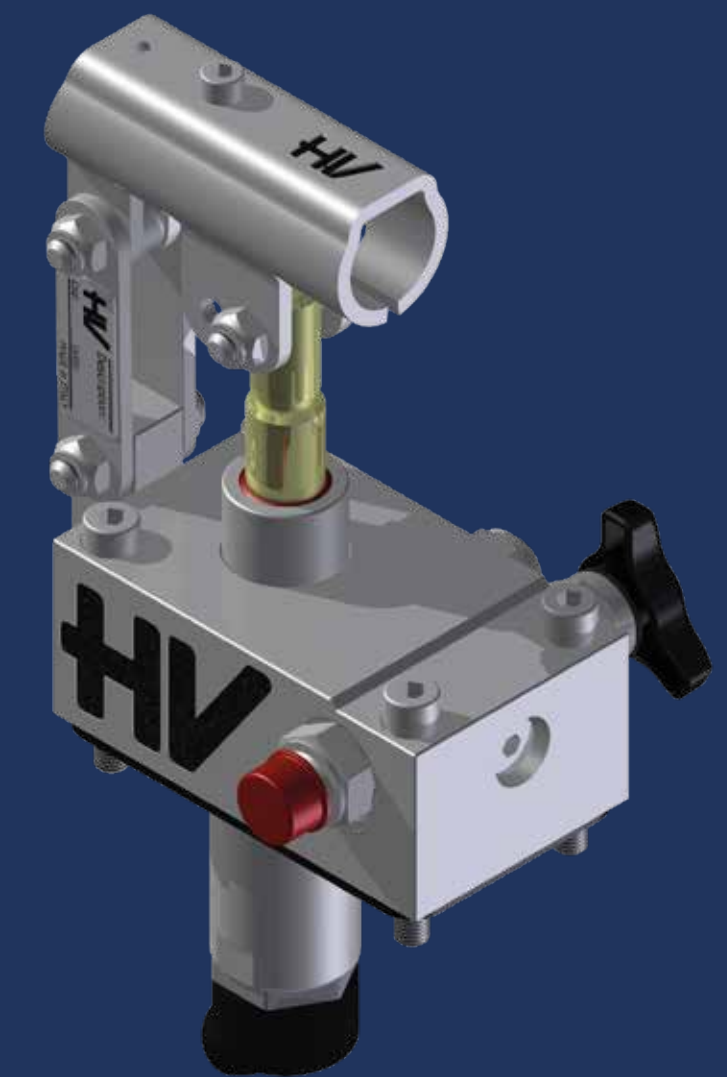
with release hand knob  
with pressure relief valve  
double acting hand pump for single acting cylinder  
for fixing to tank

**SPECIFICATIONS**

Stainless steel AISI 316 pump body  
Stainless steel AISI 630 piston rod with Niploy coating (50 µm)  
Silicon seals (VMQ)  
Lever connection Ø 27  
Stainless steel AISI 316 external parts  
Oil tank mounting kit including  
Equipped with non return valve on the outlet port  
Triple sealing system made to prevent any oil leakage and sweating onto the piston rod



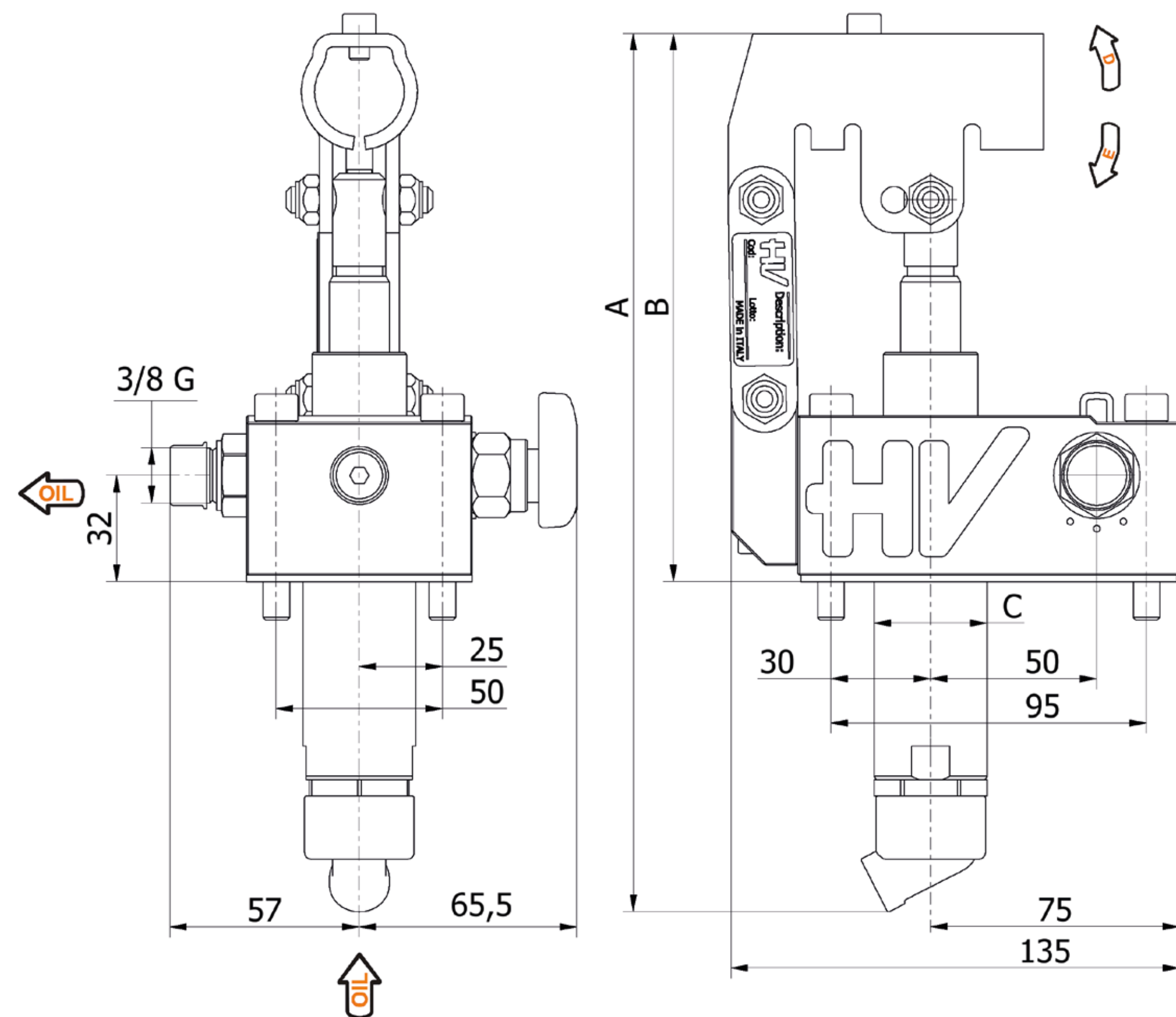
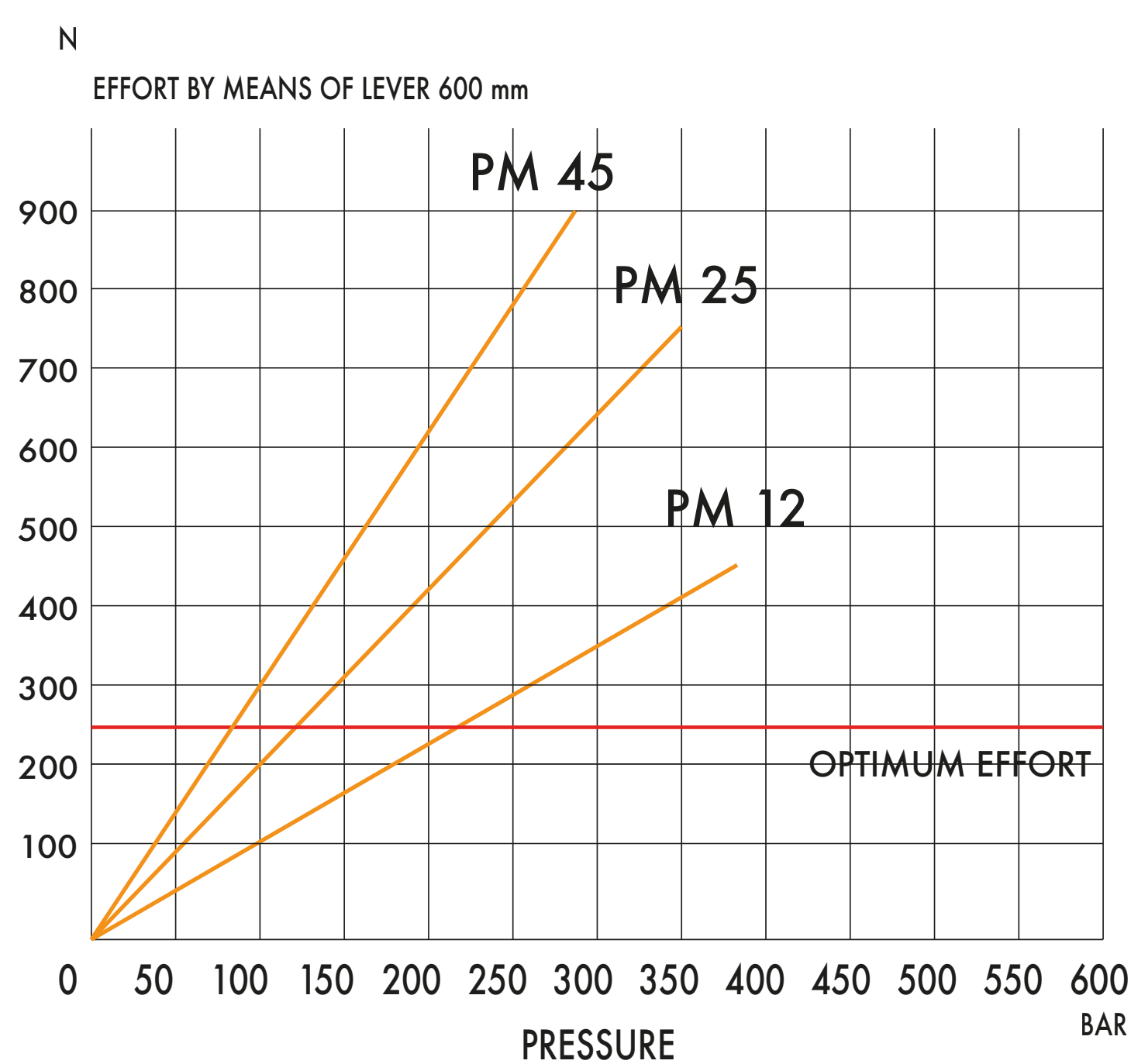
Pressure relief valve standard setting: **100 bar**



**On Demand ATEX Certificates**

II2G Ex h IIB TX Gb  
II2D Ex h IIIB TX Db

**EFFORT DIAGRAM**



DISPLACEMENT cm <sup>3</sup>	A mm	B mm	C mm	D °	E °	ACTUAL DISPLACEMENT cm <sup>3</sup>	PRESSURE BAR		MASS KG	CODE
							OPTIMAL	MAX		
12	253	166	34	26	31	12,095	220	380	4,200	6050.7000
25	273	172	34	30	30	25,280	120	350	4,200	6051.7000
45	286	179	42	42	29	40,977	80	280	4,500	6052.7000



**HV Hydraulic s.r.l.** | Take YOU to another WORLD

**Head Office**  
Via dell'Agricoltura, 162 Loc. Castello di Serravalle  
40053 VALSAMOGGIA (BO) Italy

**Warehouse**  
Via del Lavoro, 111 e 135 Loc. Castello di Serravalle  
40053 VALSAMOGGIA (BO) Italy