

Hand pumps

PM 12-25-45 byB

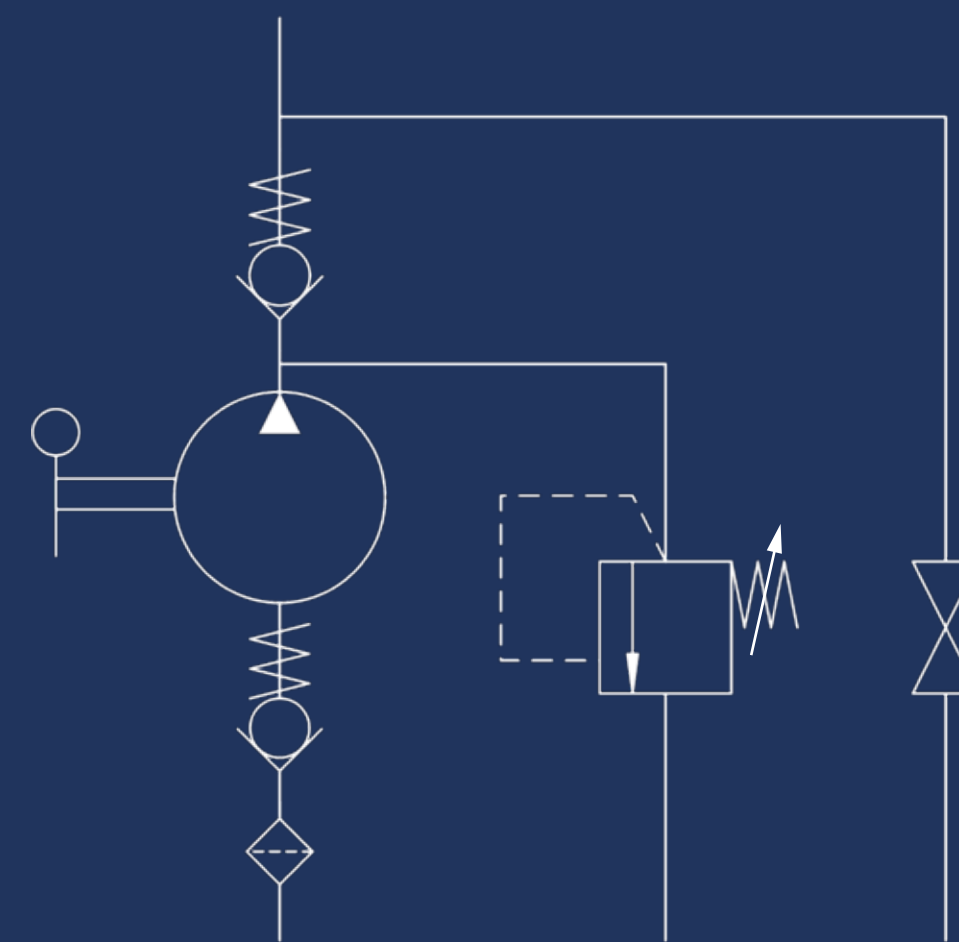
Tech sheet

DETAILS

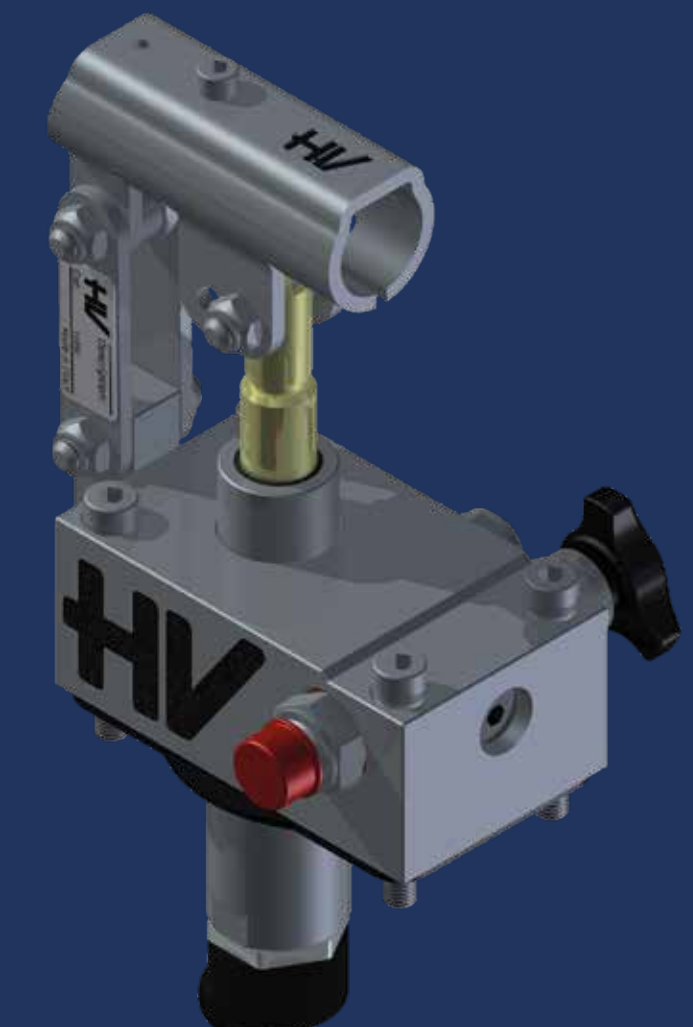
with release hand knob
with pressure relief valve
double acting hand pump for single acting cylinder
for fixing to tank

SPECIFICATIONS

White zinc plated pump body.
Piston protection with Niploy.
White zinc plated support lever.
Lever connection \varnothing 27.
White zinc plated external parts
Oil tank mounting kit including
Equipped with non return valve on the outlet port
riple sealing system made to prevent any oil leakage and sweating onto the piston rod



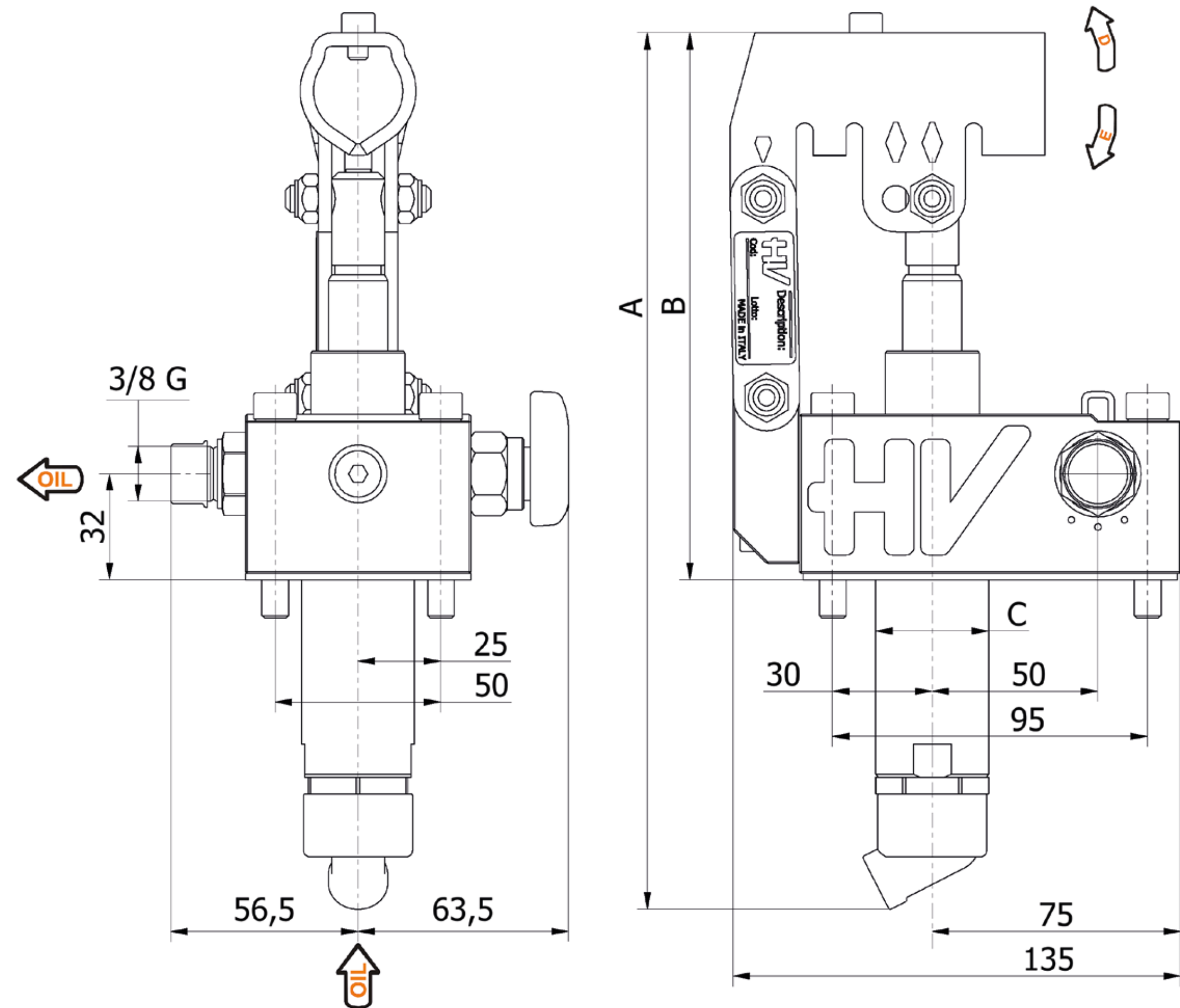
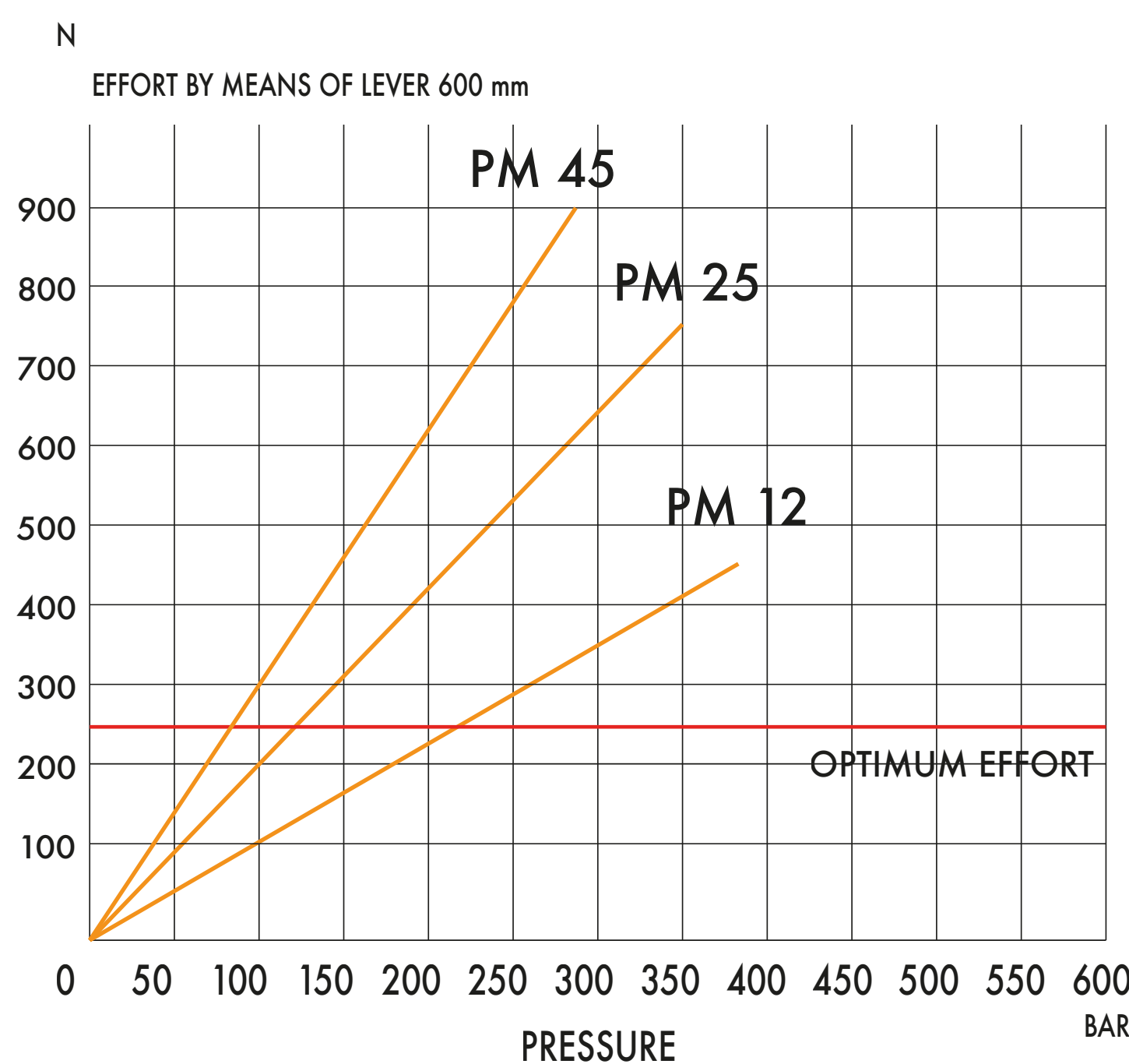
Pressure relief valve standard setting: **100 bar**



On Demand ATEX Certificates

IICG Ex h IIB TX Gb
IICD Ex h IIIB TX Db

EFFORT DIAGRAM



DISPLACEMENT cm ³	A mm	B mm	C mm	D °	E °	ACTUAL DISPLACEMENT cm ³	PRESSURE BAR		MASS KG	CODE
							OPTIMAL	MAX		
12	253	166	34	26	31	12,095	220	380	4,000	6050.5500
25	273	172	34	30	30	25,280	120	350	4,000	6051.5500
45	286	179	42	42	29	40,977	80	280	4,300	6052.5500



HV Hydraulic s.r.l. | Take YOU to another WORLD

Head Office
Via dell'Agricoltura, 162 Loc. Castello di Serravalle
40053 VALSAMOGGIA (BO) Italy

Warehouse
Via del Lavoro, 111 e 135 Loc. Castello di Serravalle
40053 VALSAMOGGIA (BO) Italy