

Hand pumps

PM 12-25-45

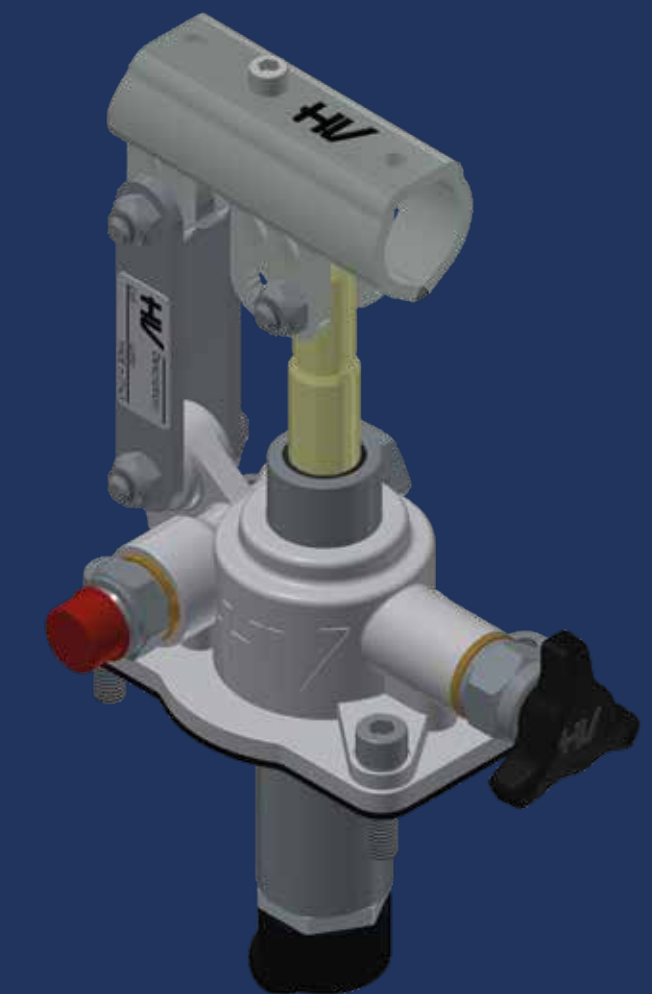
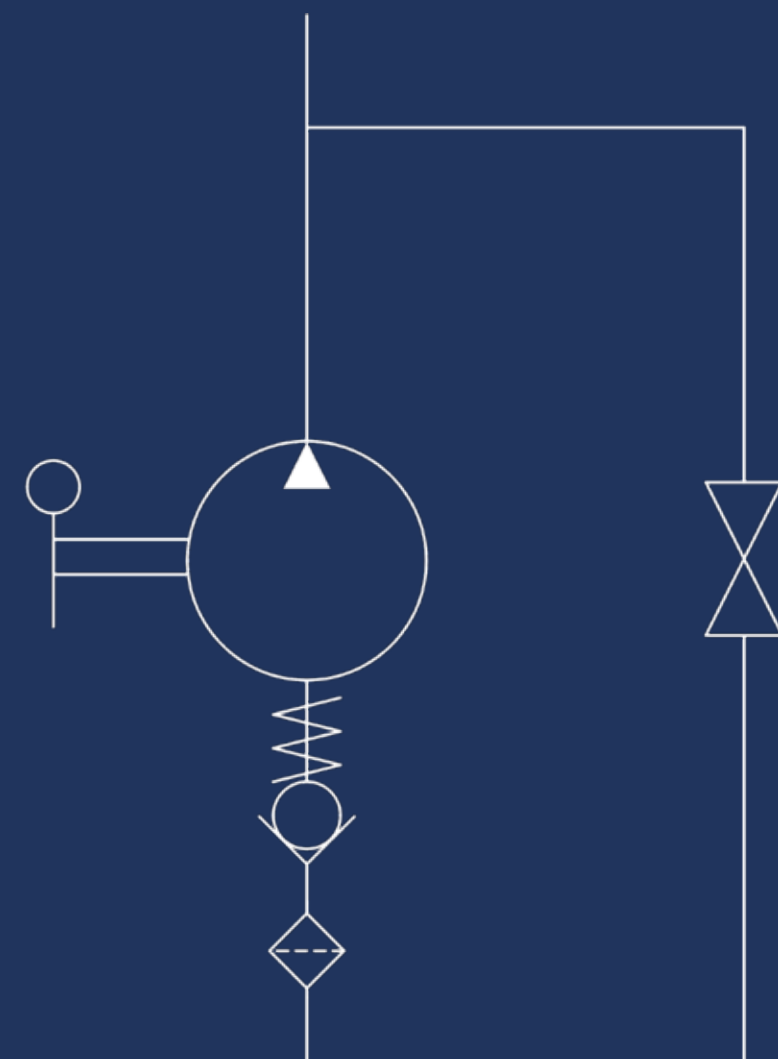
Tech sheet

DETAILS

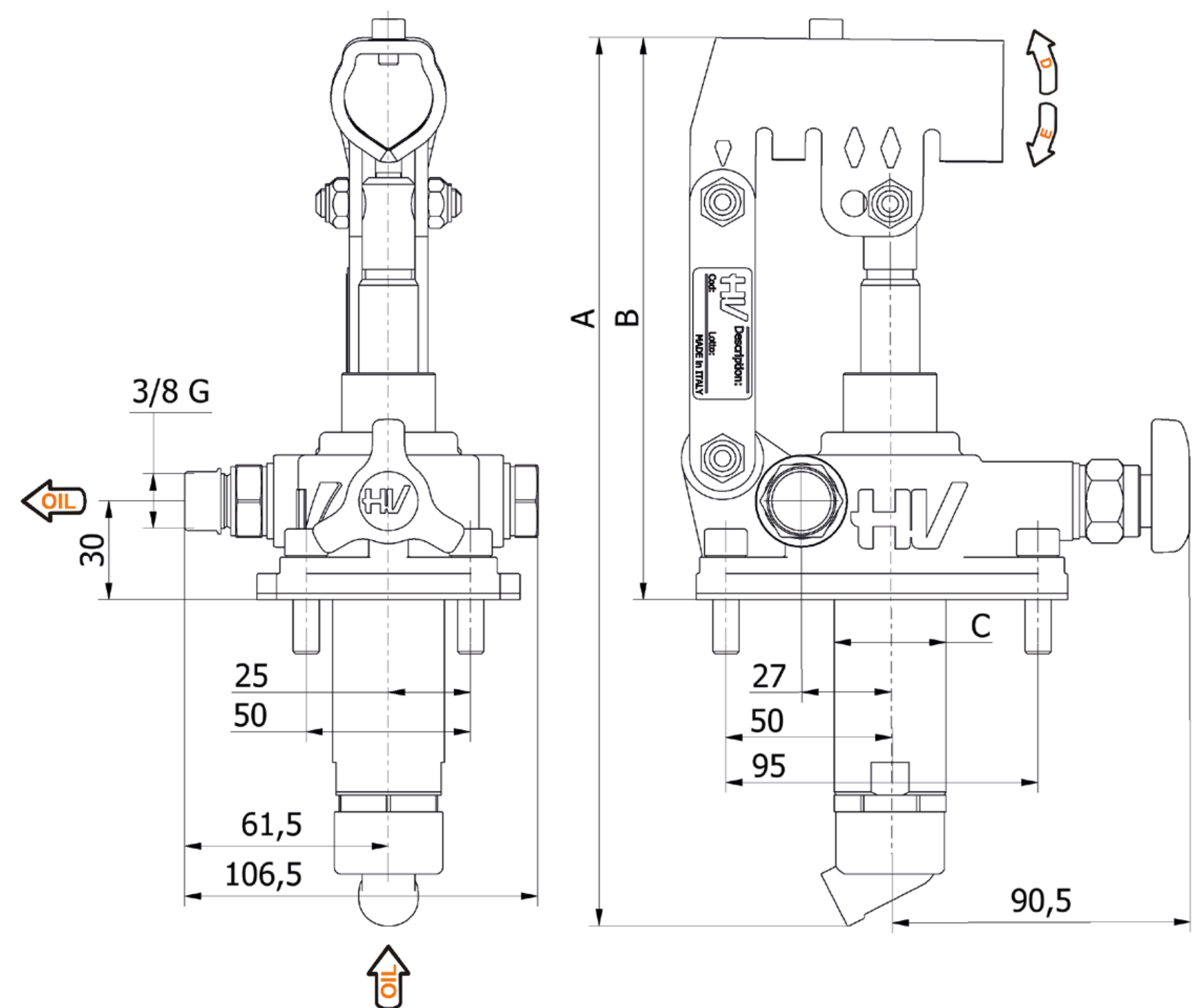
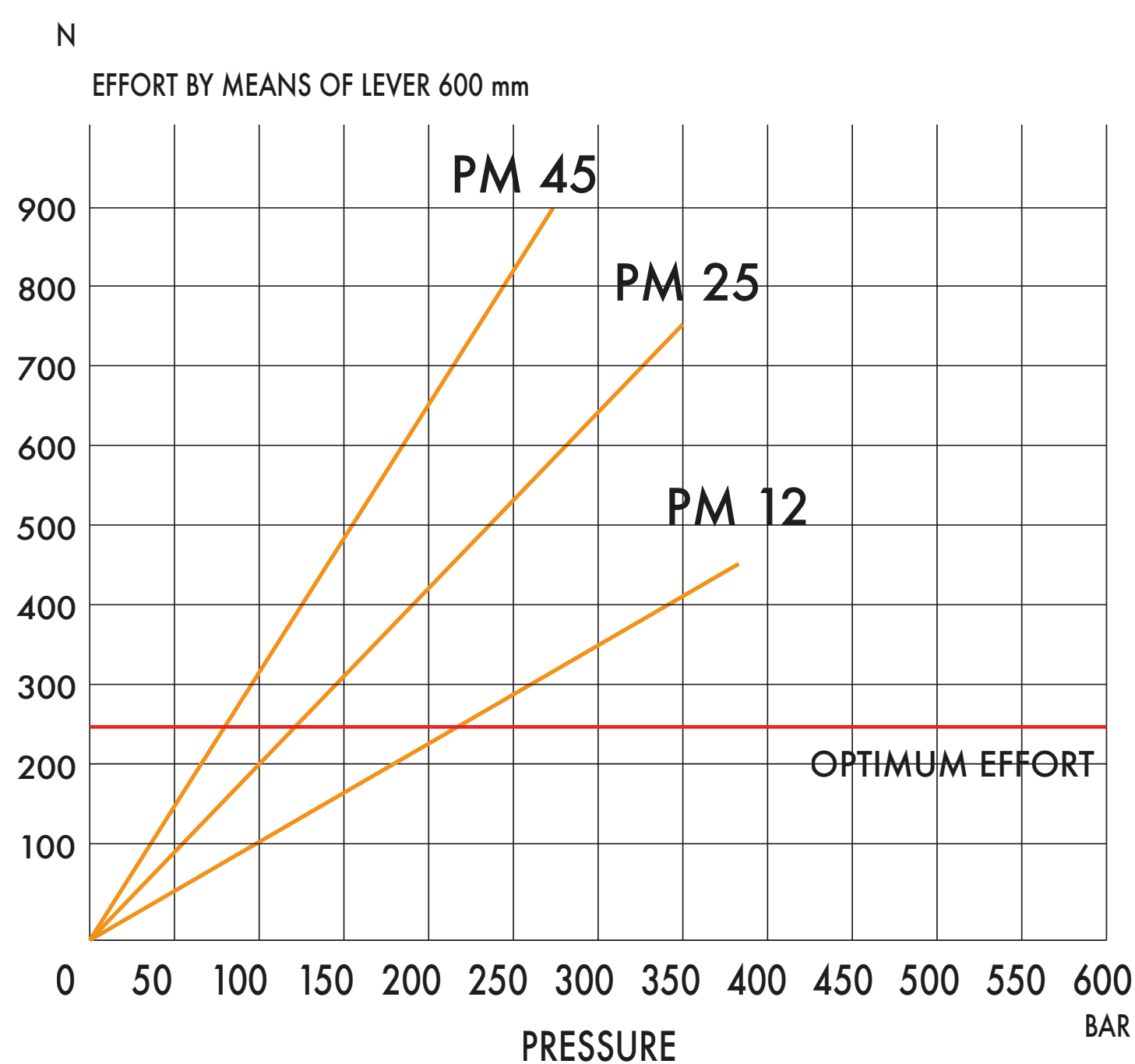
with 4/3 flow divider
with release lever
double acting hand pump for a single acting cylinder
for fixing to tank

SPECIFICATIONS

Aluminium body
Piston treated with Niploy
White zinc plated support lever
Lever connection \varnothing 27
White zinc plated external parts
Oil tank mounting kit included
Riple sealing system made to prevent any oil leakage
and sweating onto the piston rod



EFFORT DIAGRAM



DISPLACEMENT cm ³	A mm	B mm	C mm	D °	E °	ACTUAL DISPLACEMENT cm ³	PRESSURE BAR		MASS KG	CODE
							OPTIMAL	MAX		
12	253	166	34	26	31	12,095	220	380	1,900	6050.6000
25	273	172	34	30	30	25,280	120	350	2,000	6051.6000
45	283	172	40	45	33	44,532	80	280	2,300	6052.6000



HV Hydraulic s.r.l. | Take YOU to another WORLD

Head Office
Via dell'Agricoltura, 162 Loc. Castello di Serravalle
40053 VALSAMOGGIA (BO) Italy

Warehouse
Via del Lavoro, 111 e 135 Loc. Castello di Serravalle
40053 VALSAMOGGIA (BO) Italy