

Hand pumps

PM 6-12-25-45 L-s

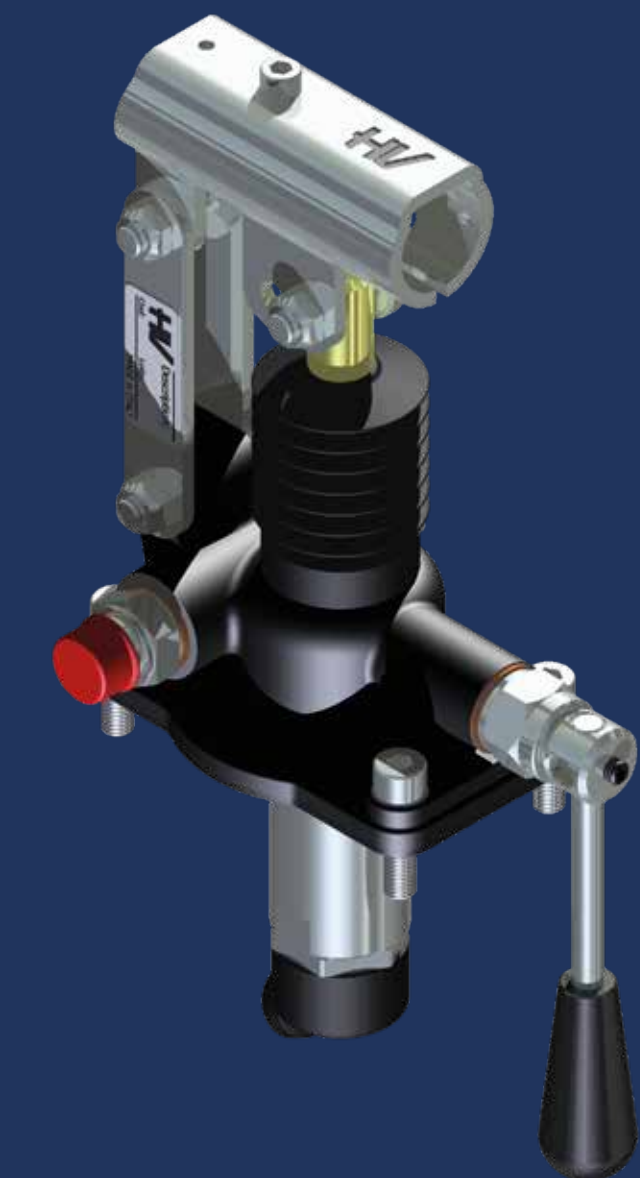
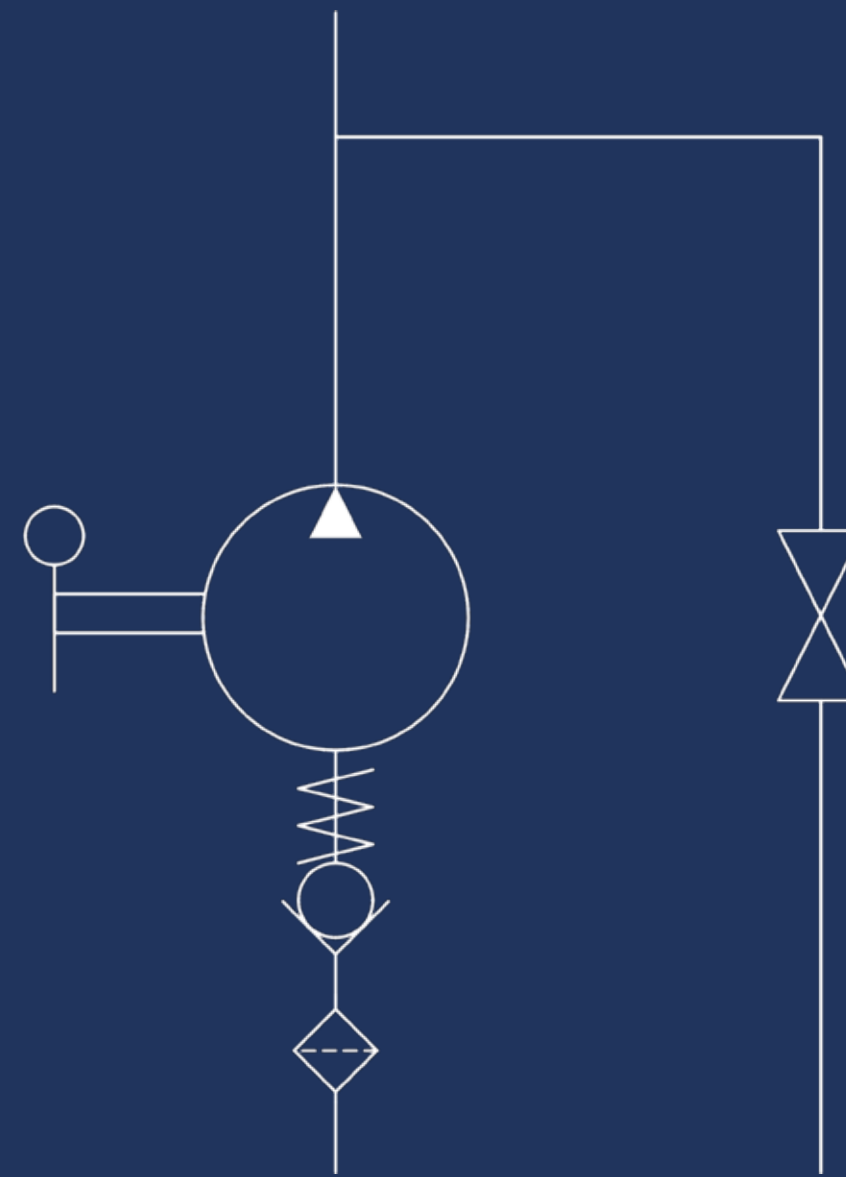
Tech sheet

DETAILS

with release lever
double acting hand pump for single acting cylinder
for fixing to tank

SPECIFICATIONS

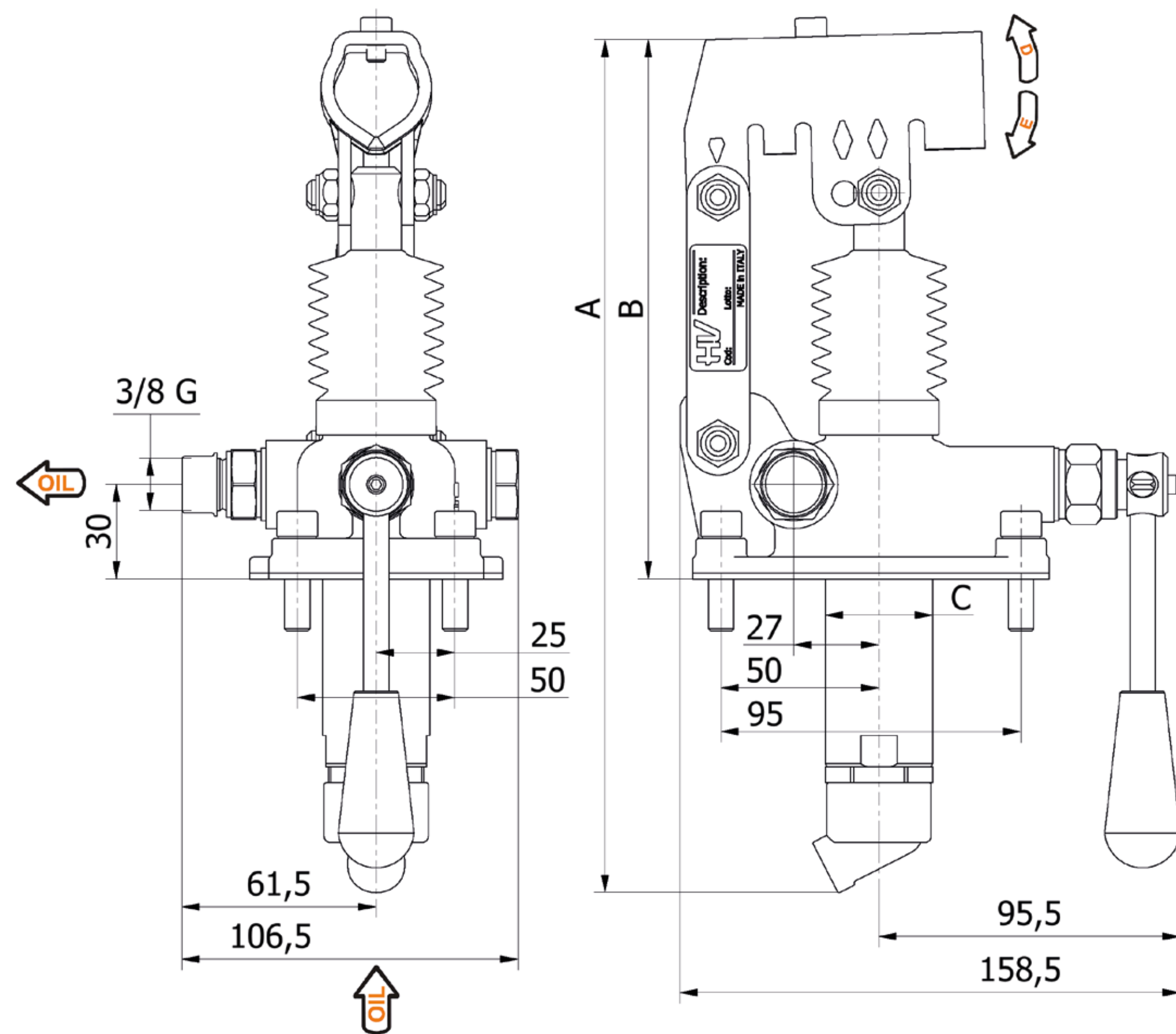
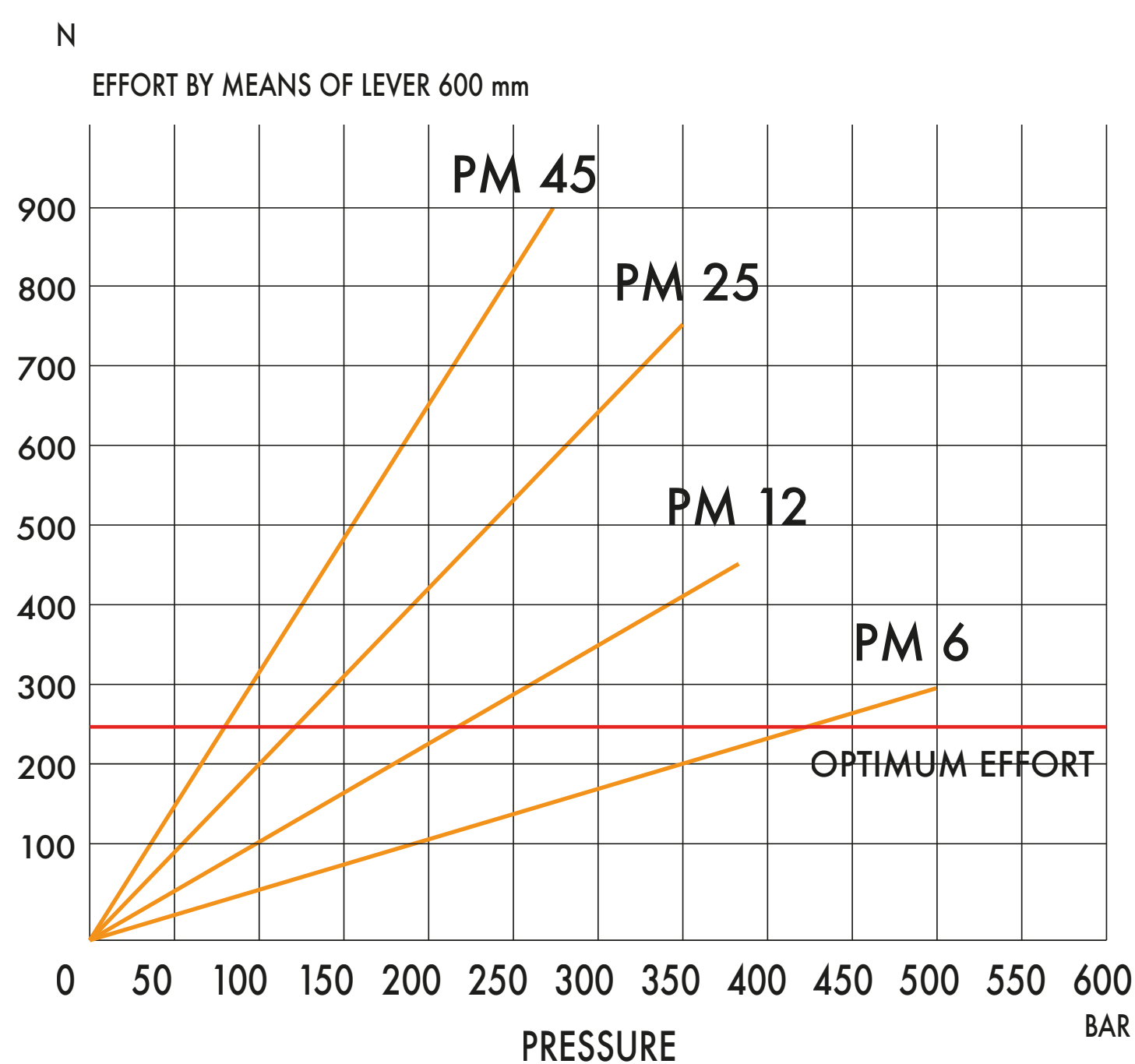
Cast iron body
Piston treated with Niploy
White zinc plated support lever
Lever connection $\varnothing 27$
White zinc plated external parts
Standard colour black
Oil tank mounting kit included



On Demand ATEX Certificates

II2G Ex h IIB TX Gb
II2D Ex h IIIB TX Db

EFFORT DIAGRAM



| DISPLACEMENT cm ³ | A mm | B mm | C mm | D ° | E ° | ACTUAL DISPLACEMENT cm ³ | PRESSURE BAR | | MASS KG | CODE |
|---------------------------------|---------|---------|---------|--------|--------|---|--------------|-----|------------|-----------|
| | | | | | | | OPTIMAL | MAX | | |
| 6 | 253 | 166 | 34 | 26 | 31 | 6,970 | 420 | 500 | 2,900 | 6049.0122 |
| 12 | 253 | 166 | 34 | 26 | 31 | 12,095 | 220 | 380 | 2,900 | 6050.0122 |
| 25 | 273 | 172 | 34 | 30 | 30 | 25,280 | 120 | 350 | 2,950 | 6051.0122 |
| 45 | 283 | 172 | 40 | 45 | 33 | 44,532 | 80 | 280 | 3,000 | 6052.0122 |



HV Hydraulic s.r.l. | Take YOU to another WORLD

Head Office
Via dell'Agricoltura, 162 Loc. Castello di Serravalle
40053 VALSAMOGGIA (BO) Italy

Warehouse
Via del Lavoro, 111 e 135 Loc. Castello di Serravalle
40053 VALSAMOGGIA (BO) Italy