

Hand pumps

PM 6-12-25-45 byB-L-s

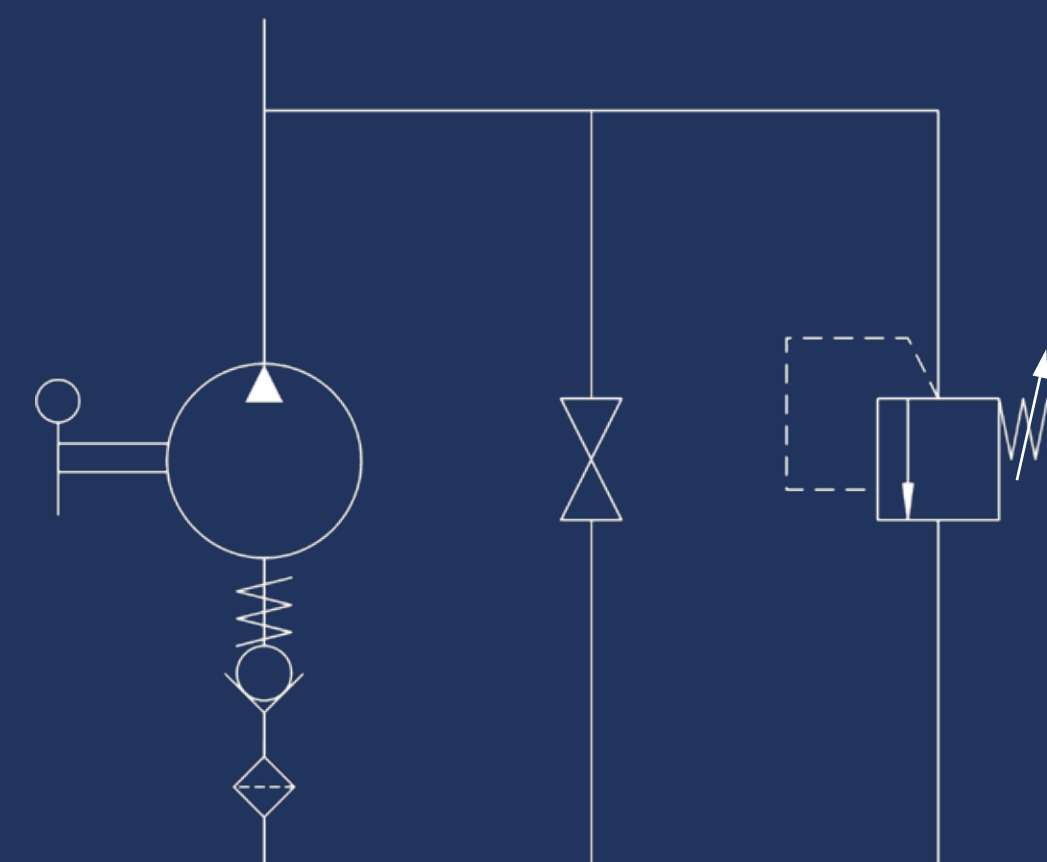
Tech sheet

DETAILS

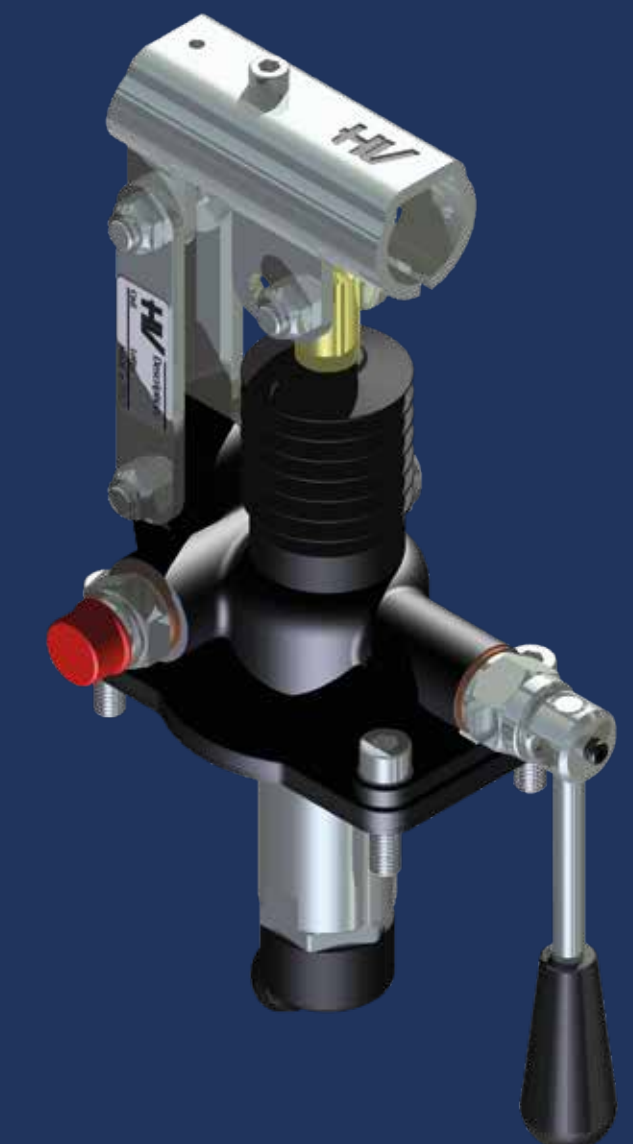
with release lever
with pressure relief valve
double acting hand pump for single acting cylinder
for fixing to tank

SPECIFICATIONS

Cast iron body
Piston treated with Niploy
White zinc plated support lever
Lever connection \varnothing 27
White zinc plated external parts
Standard colour black
Oil tank mounting kit included



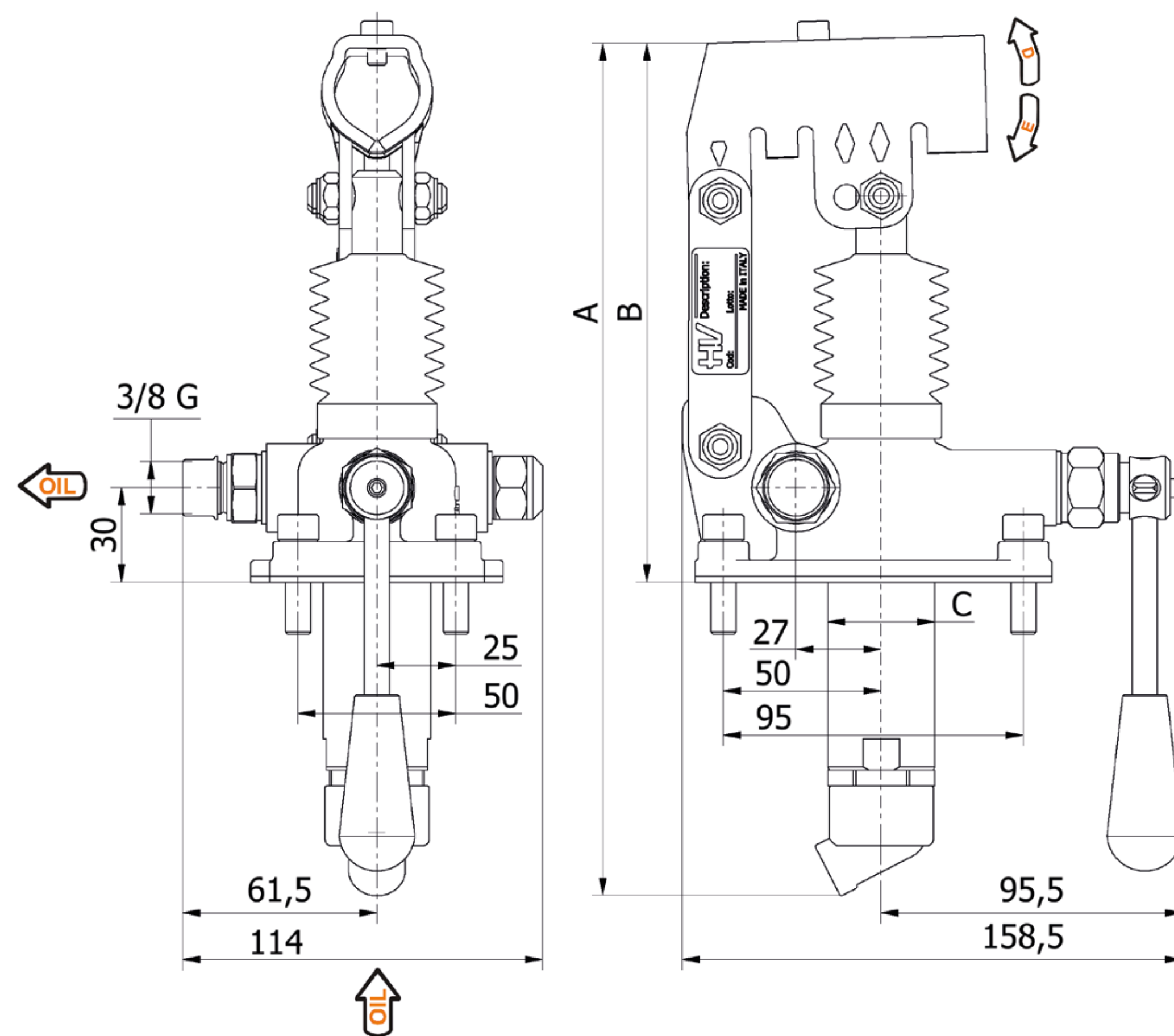
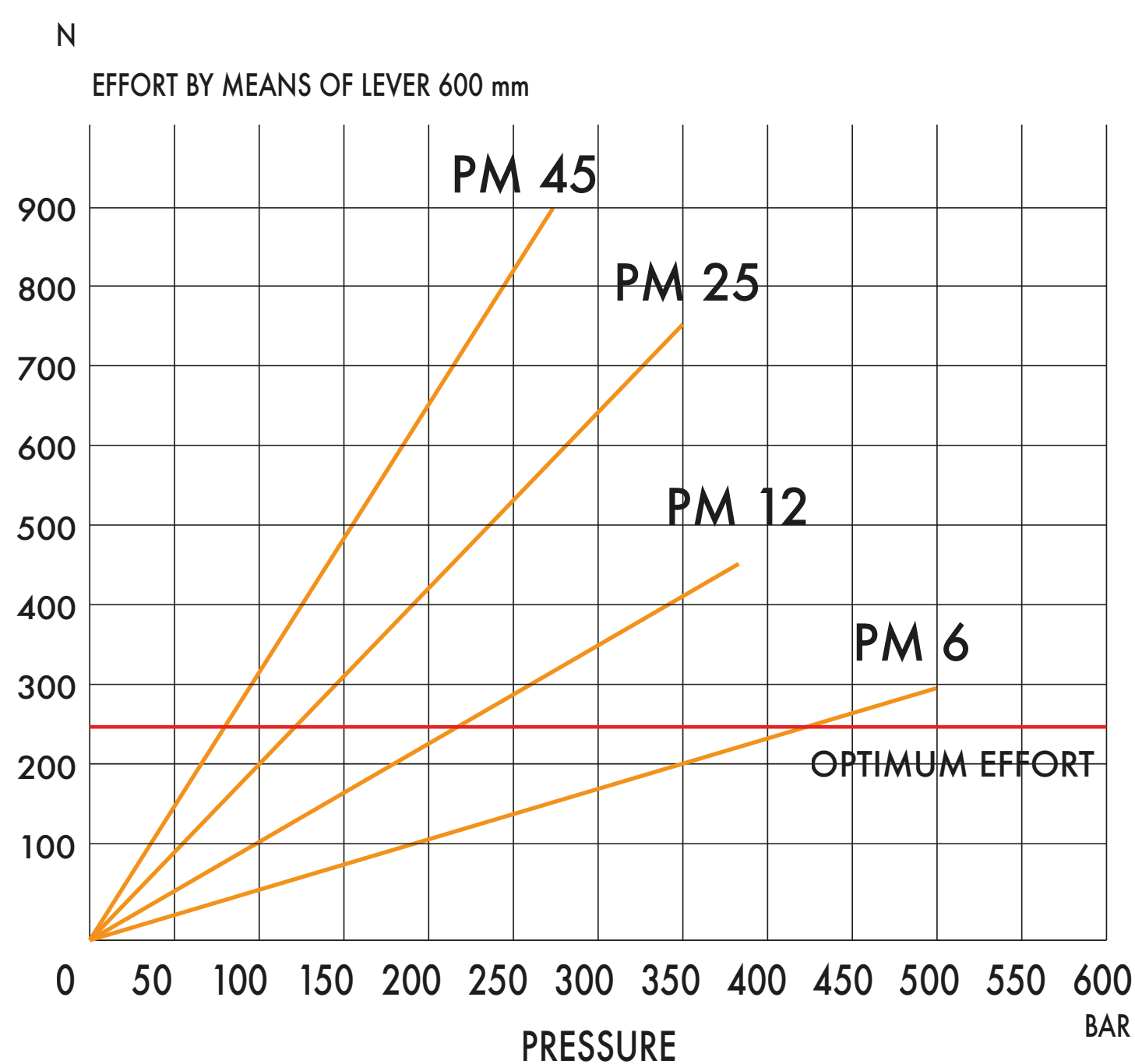
Pressure relief valve standard setting: **100 bar**



On Demand ATEX Certificates

II2G Ex h IIB TX Gb
II2D Ex h IIIB TX Db

EFFORT DIAGRAM



DISPLACEMENT cm ³	A mm	B mm	C mm	D °	E °	ACTUAL DISPLACEMENT cm ³	PRESSURE BAR		MASS KG	CODE
							OPTIMAL	MAX		
6	253	166	34	26	31	6,970	420	500	2,900	6049.0123
12	253	166	34	26	31	12,095	220	380	2,900	6050.0123
25	273	172	34	30	30	25,280	120	350	2,950	6051.0123
45	283	172	40	45	33	44,532	80	280	3,000	6052.0123



HV Hydraulic s.r.l. | Take YOU to another WORLD

Head Office
Via dell'Agricoltura, 162 Loc. Castello di Serravalle
40053 VALSAMOGGIA (BO) Italy

Warehouse
Via del Lavoro, 111 e 135 Loc. Castello di Serravalle
40053 VALSAMOGGIA (BO) Italy