

Hand pumps

PM 6-12-25-45 byB-mna-s

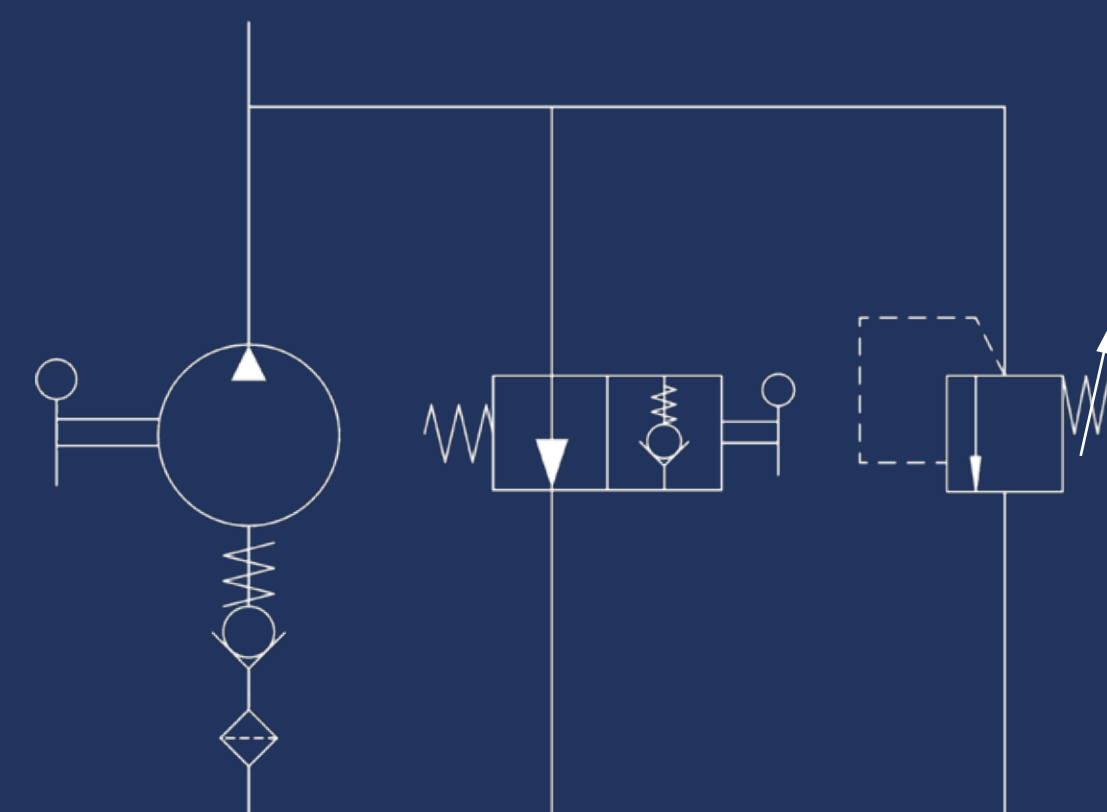
Tech sheet

DETAILS

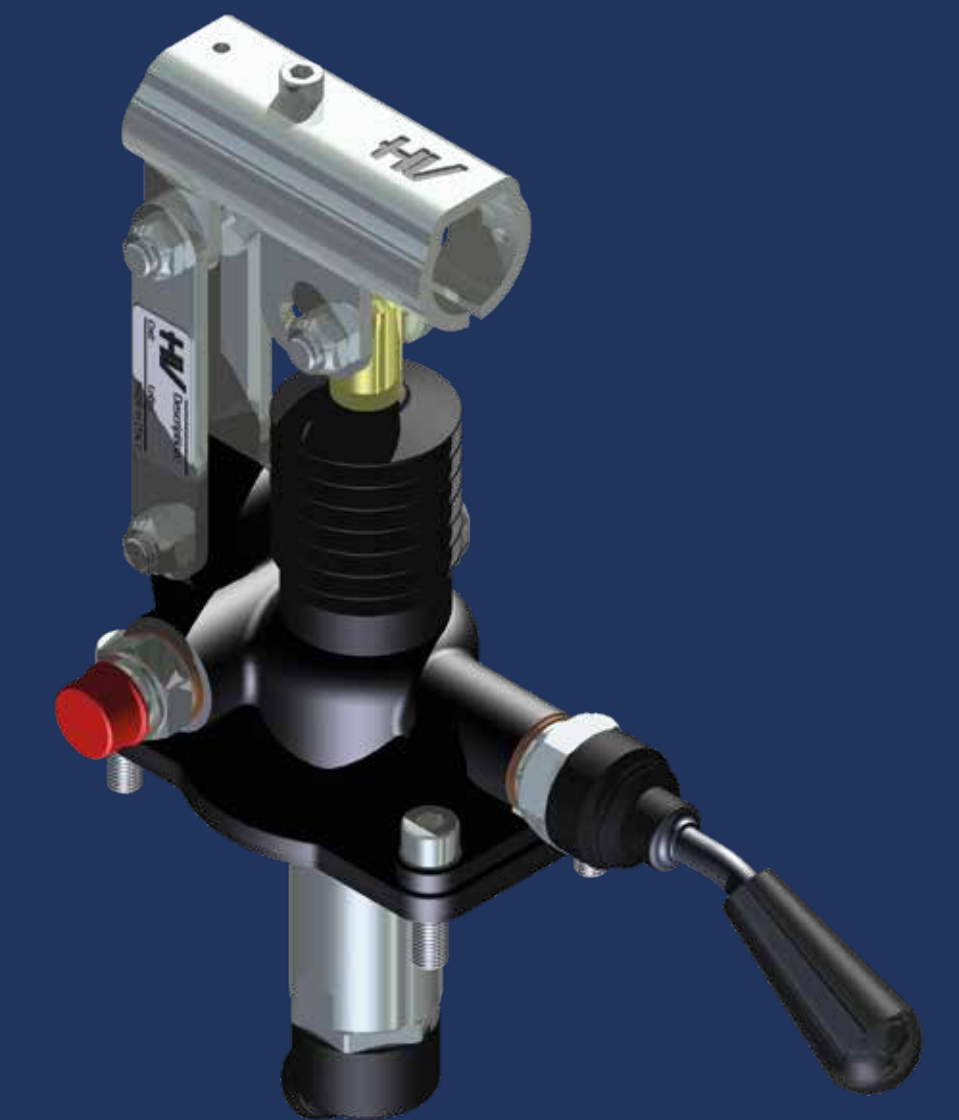
with normally open manipulator  
with pressure relief valve  
double acting hand pump for single acting cylinder  
for fixing to tank

SPECIFICATIONS

Cast iron body  
Piston treated with Niploy  
White zinc plated support lever  
Lever connection  $\varnothing 27$   
White zinc plated external parts  
Standard colour black  
Oil tank mounting kit included



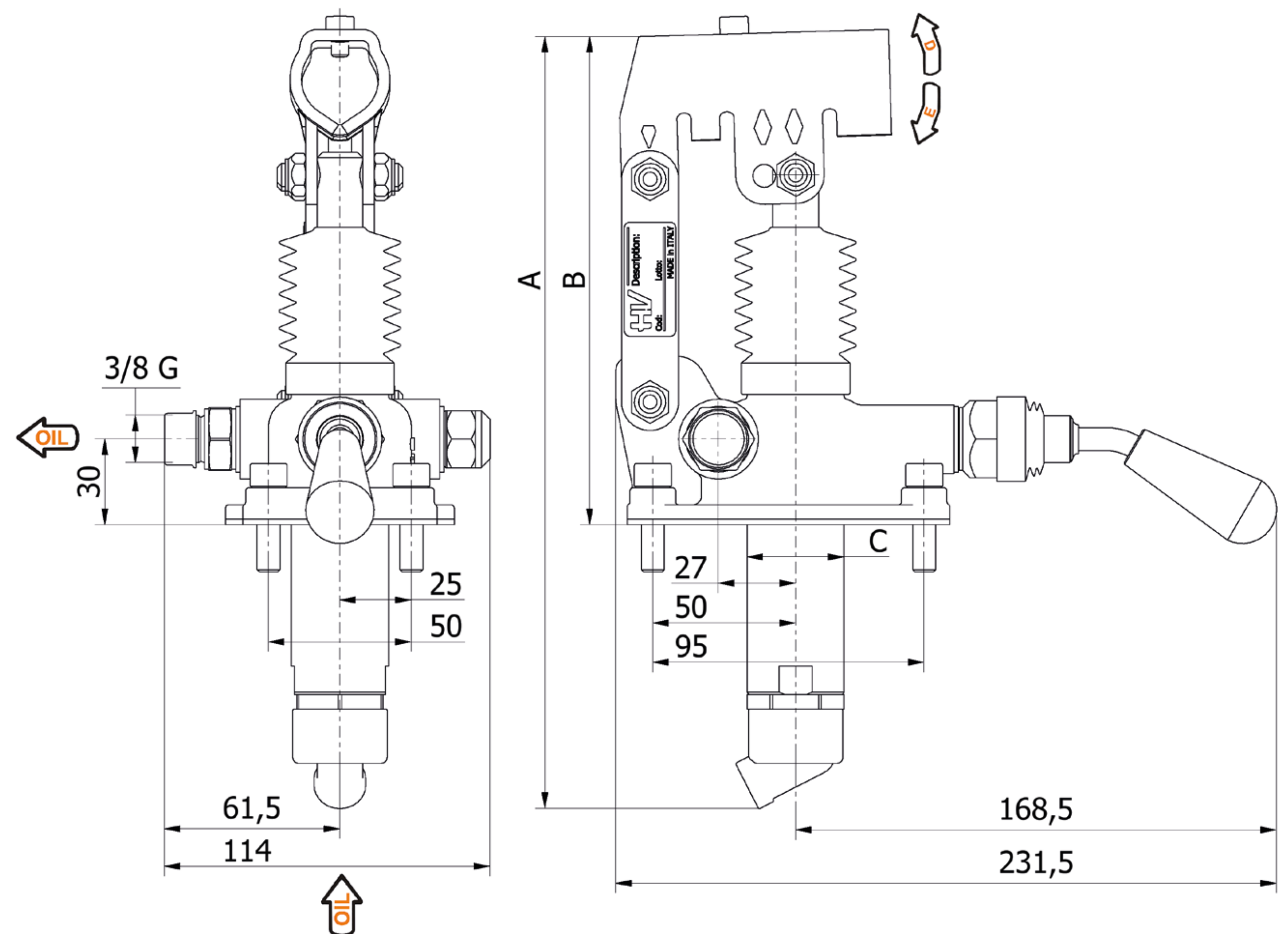
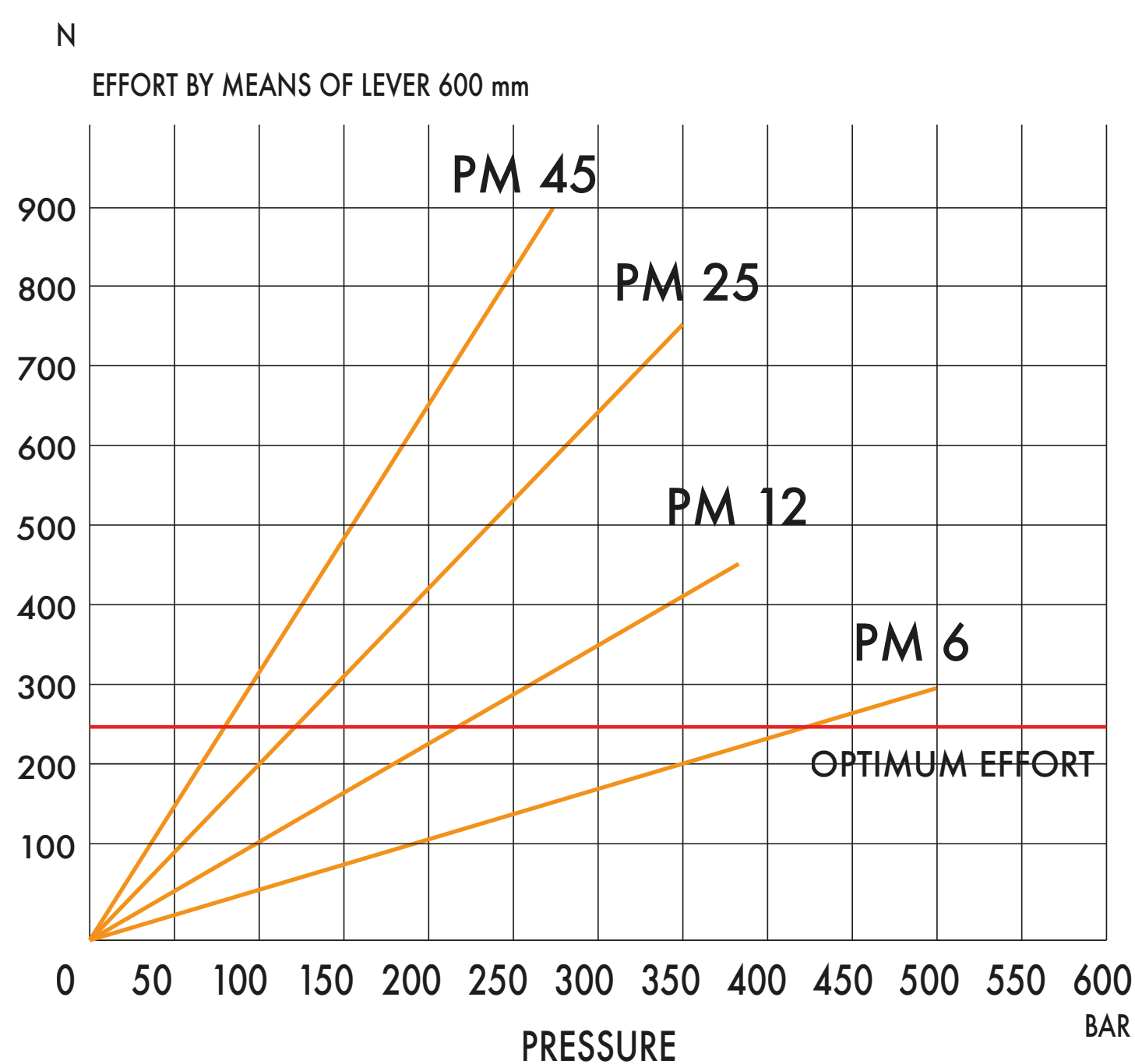
Pressure relief valve standard setting: **100 bar**



On Demand ATEX Certificates

II2G Ex h IIB TX Gb  
II2D Ex h IIIB TX Db

EFFORT DIAGRAM



DISPLACEMENT cm <sup>3</sup>	A mm	B mm	C mm	D °	E °	ACTUAL DISPLACEMENT cm <sup>3</sup>	PRESSURE BAR		MASS KG	CODE
							OPTIMAL	MAX		
6	253	166	34	26	31	6,970	420	500	2,900	6049.0142
12	253	166	34	26	31	12,095	220	380	2,900	6050.0142



HV Hydraulic s.r.l. | Take YOU to another WORLD

Head Office  
Via dell'Agricoltura, 162 Loc. Castello di Serravalle  
40053 VALSAMOGGIA (BO) Italy

Warehouse  
Via del Lavoro, 111 e 135 Loc. Castello di Serravalle  
40053 VALSAMOGGIA (BO) Italy