

Hand pumps

PM2P 5-10-17

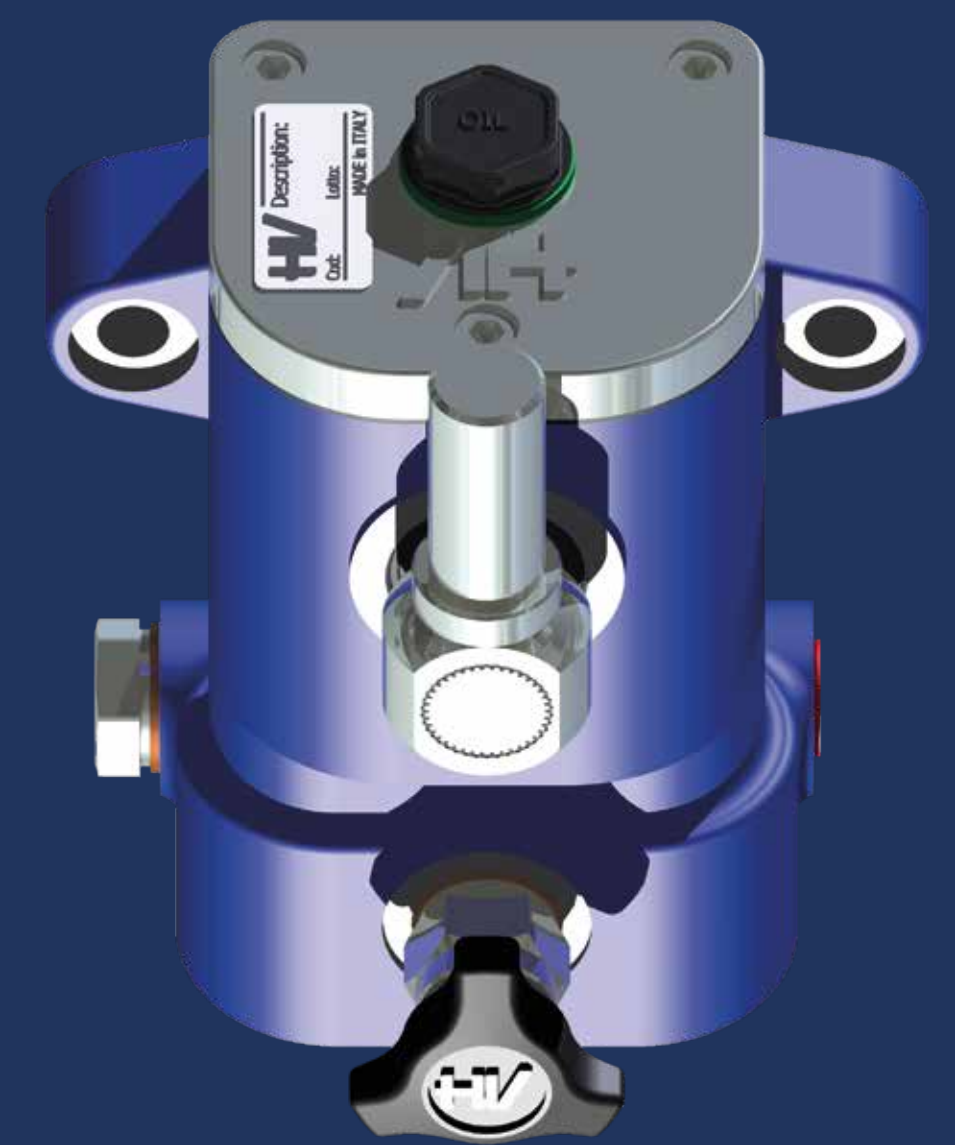
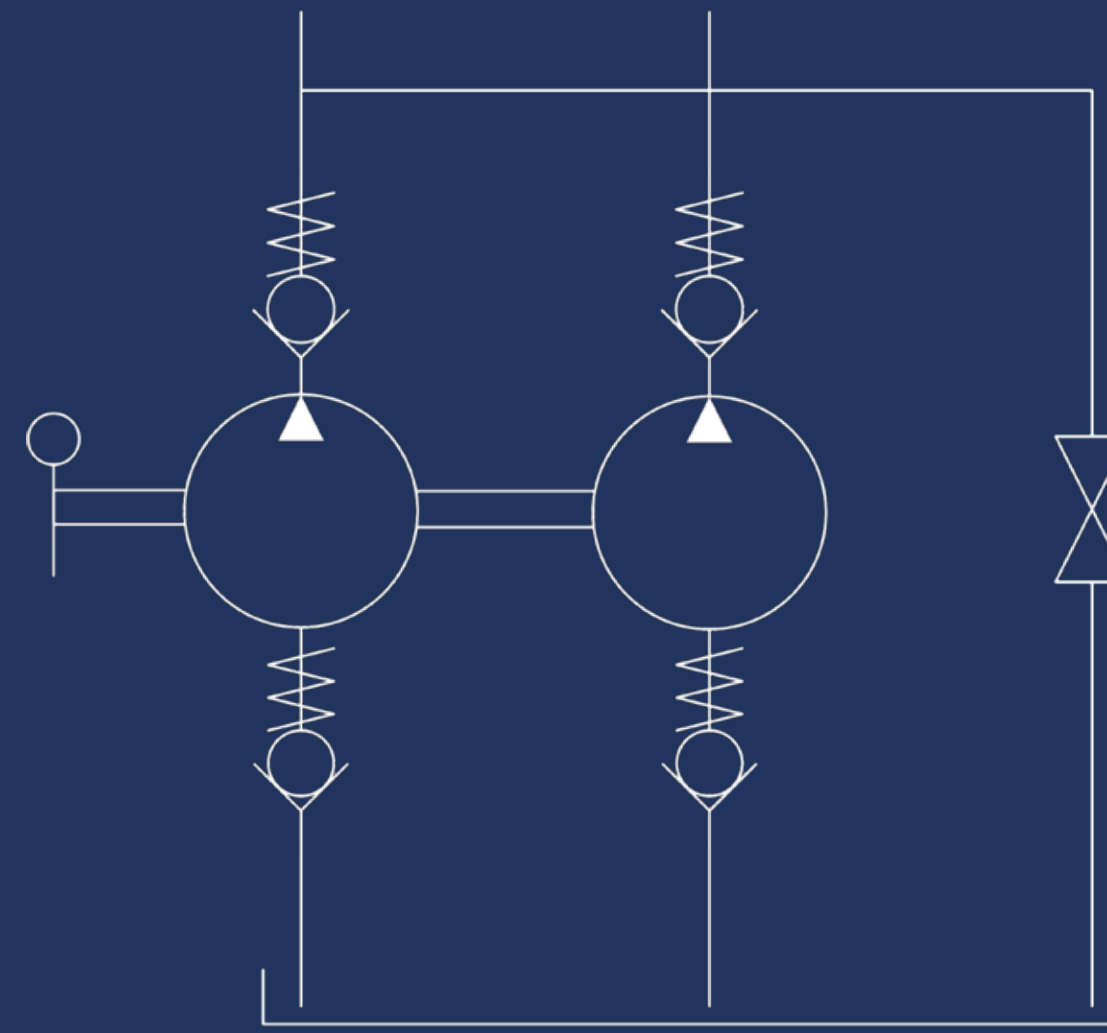
Tech sheet

DETAILS

with release hand knob
double acting hand pump for single acting cylinder
for fixing both to a wall and to a tank

SPECIFICATIONS

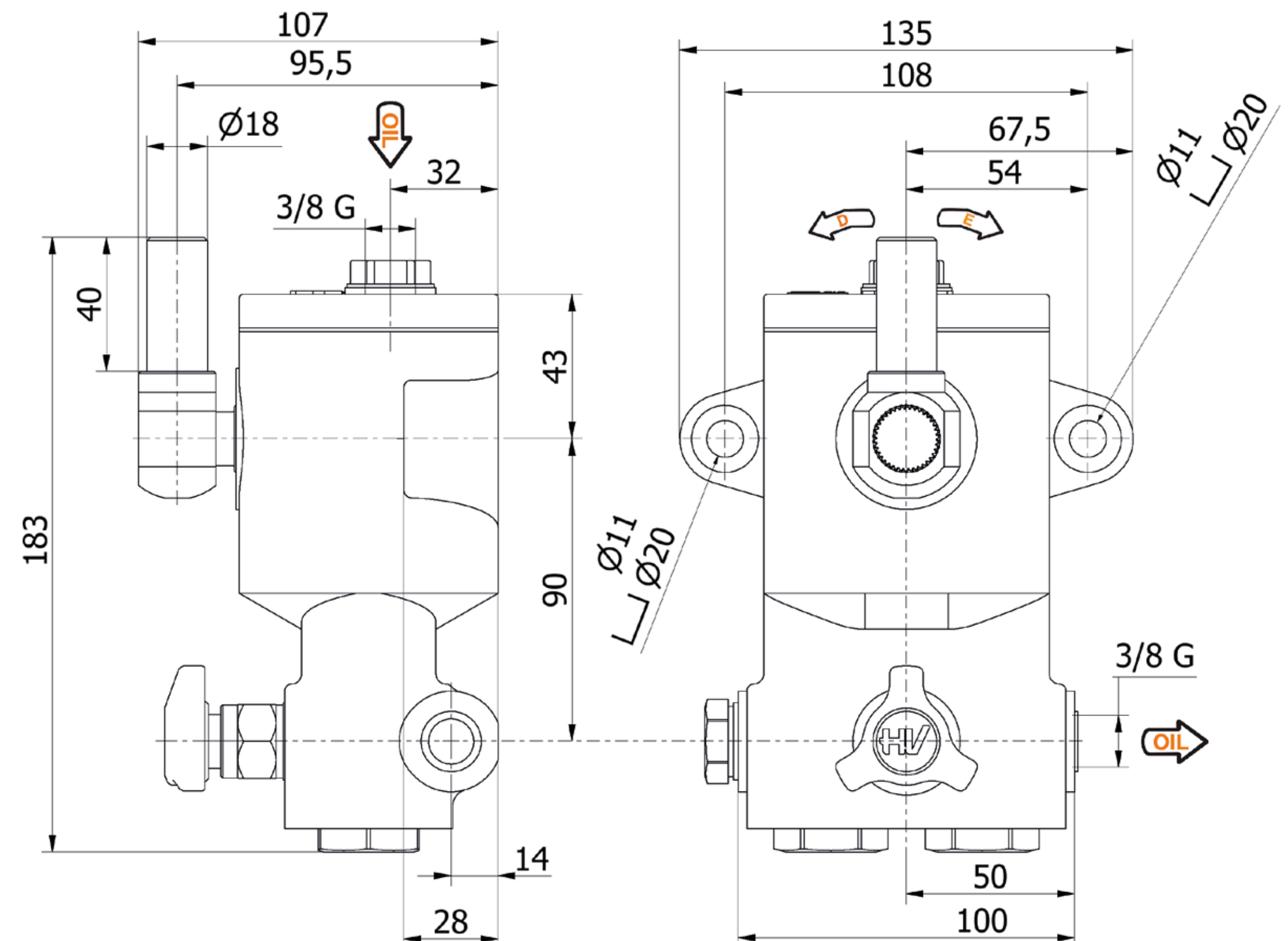
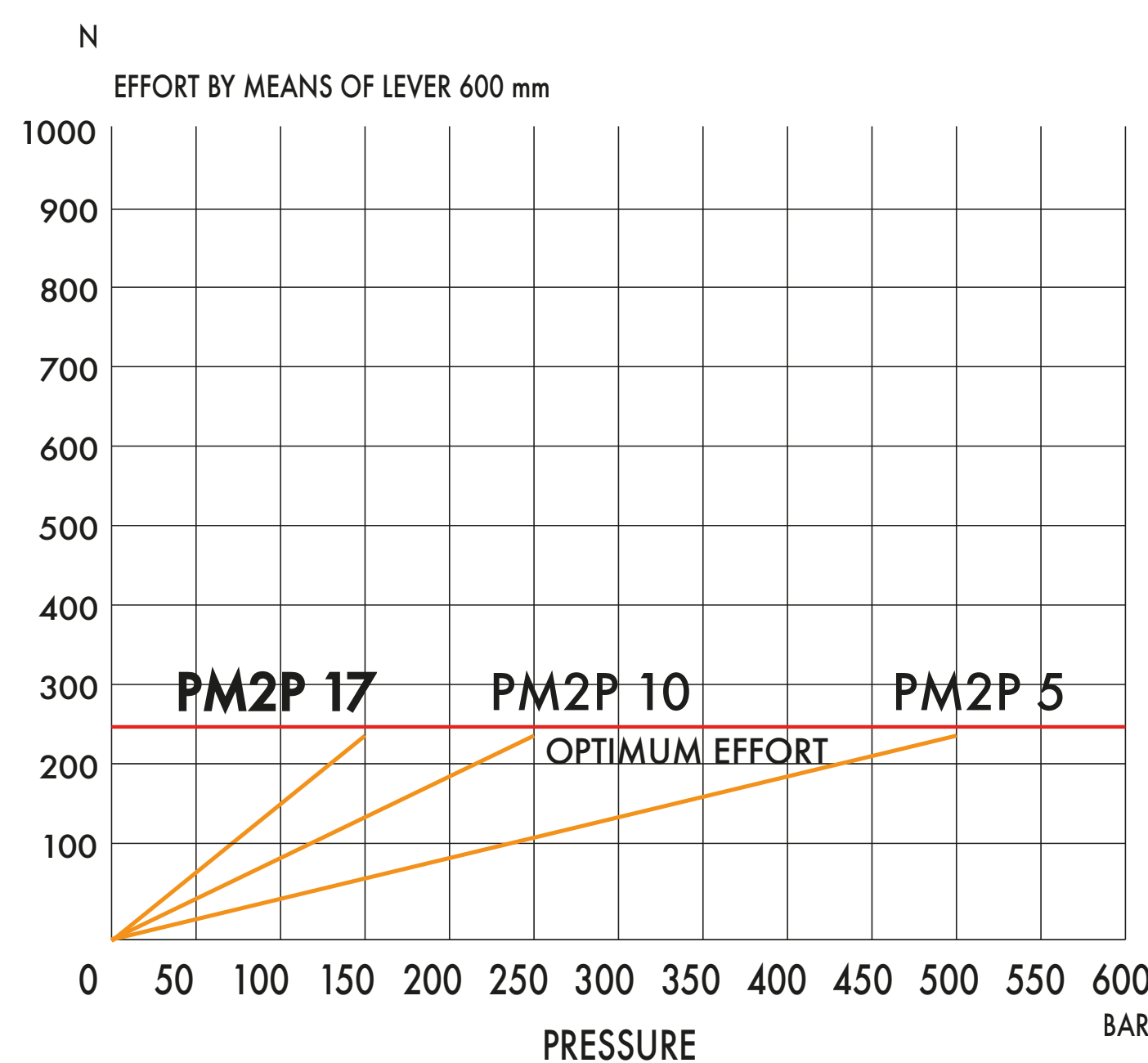
Cast iron body
White zinc plated support lever
Lever connection \varnothing 18
White zinc plated external parts
Standard colour blue



On Demand ATEX Certificates

II2G Ex h IIB TX Gb
II2D Ex h IIB TX Db

EFFORT DIAGRAM



DISPLACEMENT cm ³	A mm	B mm	C mm	D °	E °	ACTUAL DISPLACEMENT cm ³	PRESSURE BAR		MASS KG	CODE
							OPTIMAL	MAX		
5	--	--	--	36	36	5,510	500	500	4,200	6091.0000
10	--	--	--	36	36	11,650	250	250	4,200	6092.0000
17	--	--	--	36	36	18,210	150	150	4,200	6093.0000



HV Hydraulic s.r.l. | Take YOU to another WORLD

Head Office
Via dell'Agricoltura, 162 Loc. Castello di Serravalle
40053 VALSAMOGGIA (BO) Italy

Warehouse
Via del Lavoro, 111 e 135 Loc. Castello di Serravalle
40053 VALSAMOGGIA (BO) Italy