

Hand pumps

PM2V 5-50 a-vb-byB

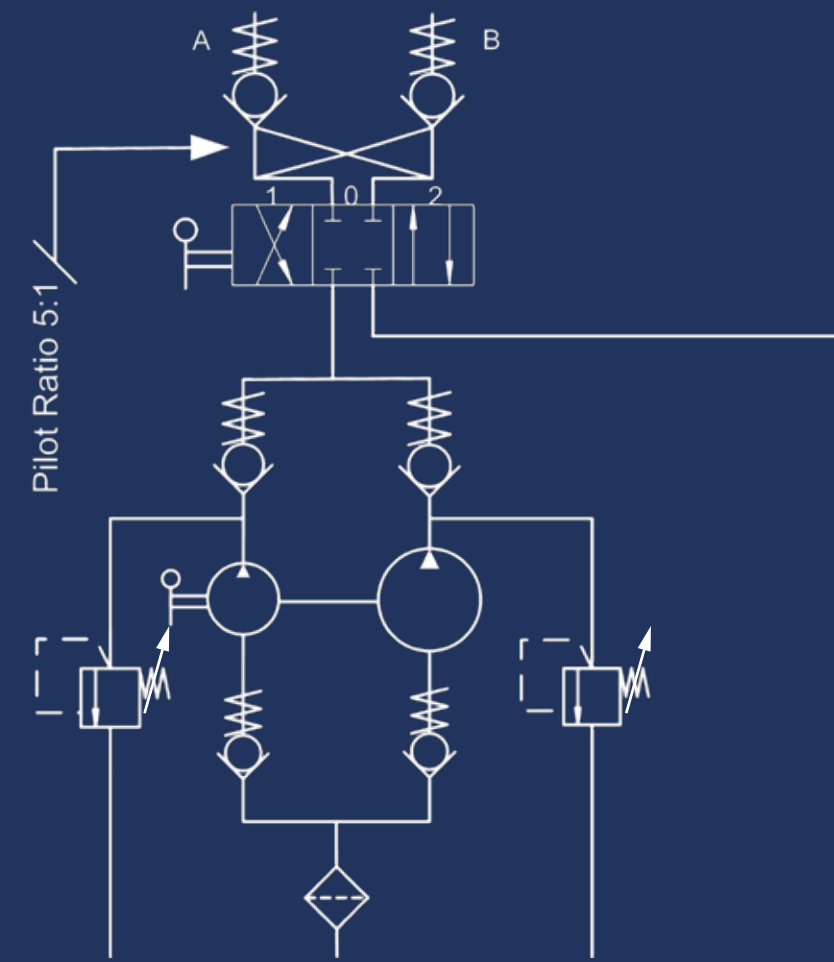
Tech sheet

DETAILS

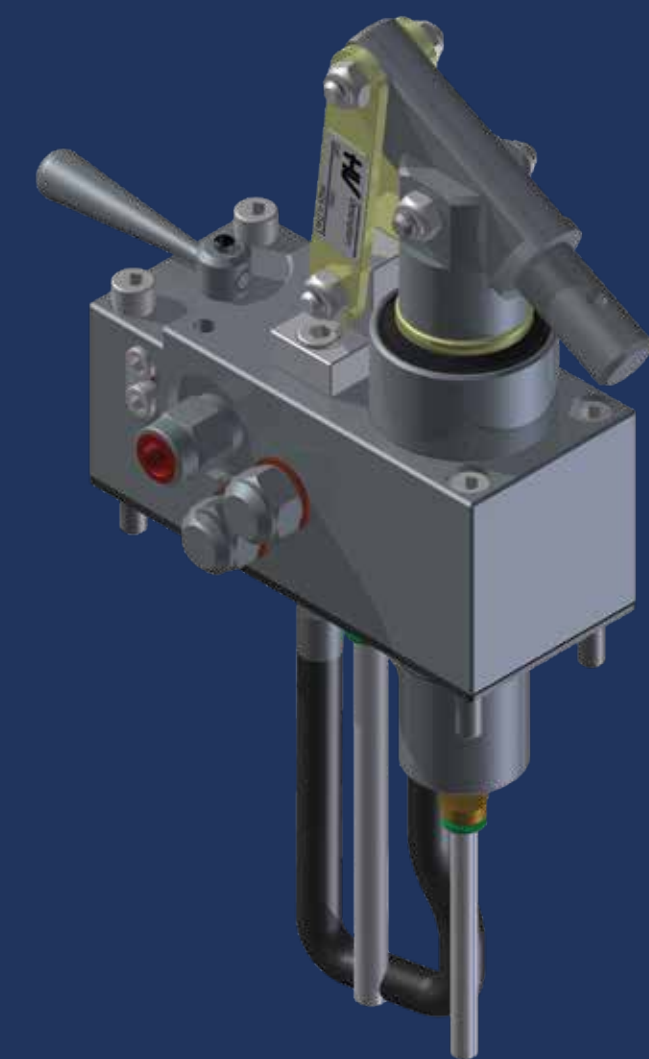
with release hand knob
with automatic control for the 1st speed
with pressure relief valve and pressure-gauge two speed
hand pump for a single acting cylinder for fixing to tank

SPECIFICATIONS

Yellow zinc plating + sealant 15 micron external parts
Piston treated with Niploy
Lever connection Ø 20
Oil tank mounting kit included



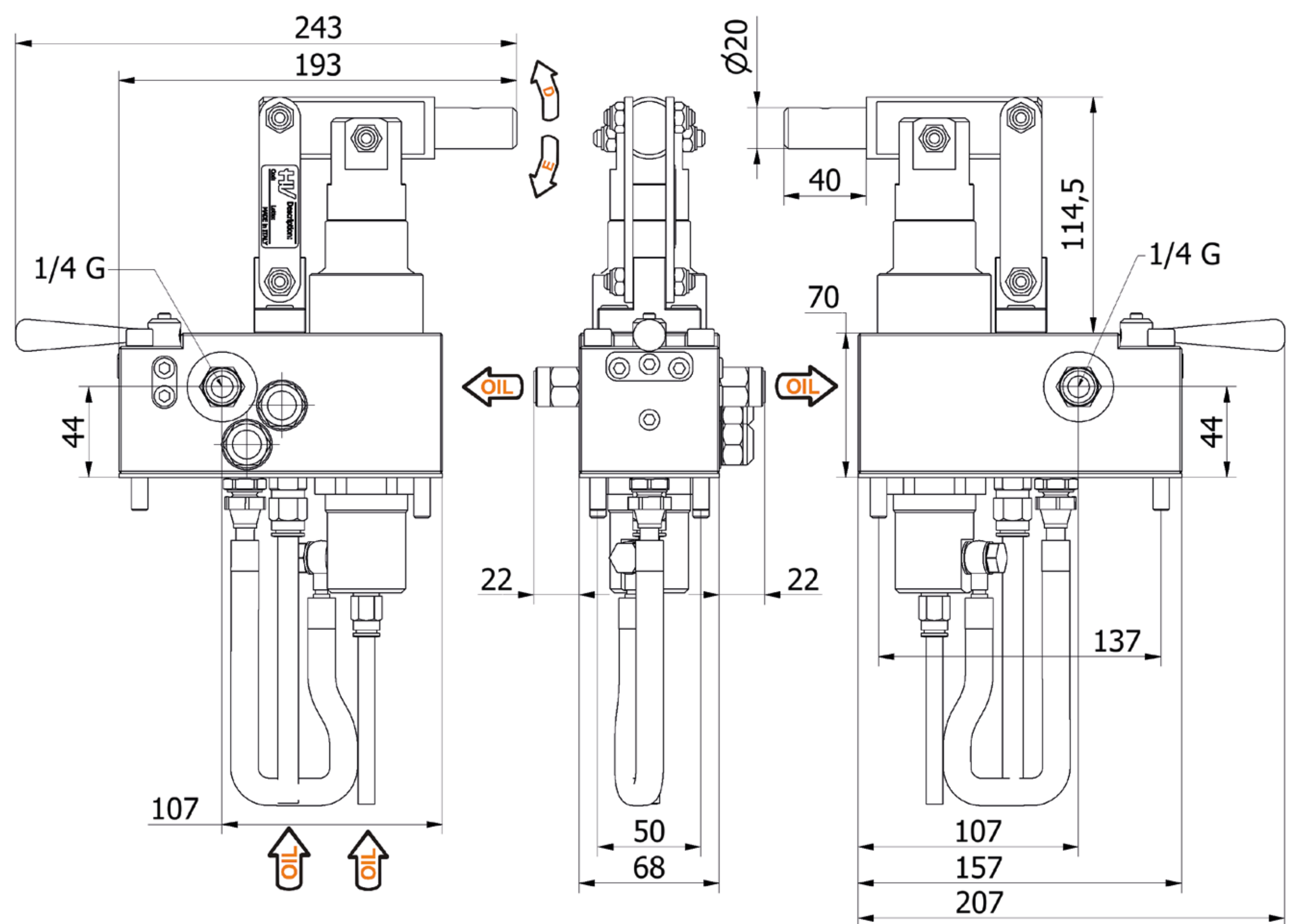
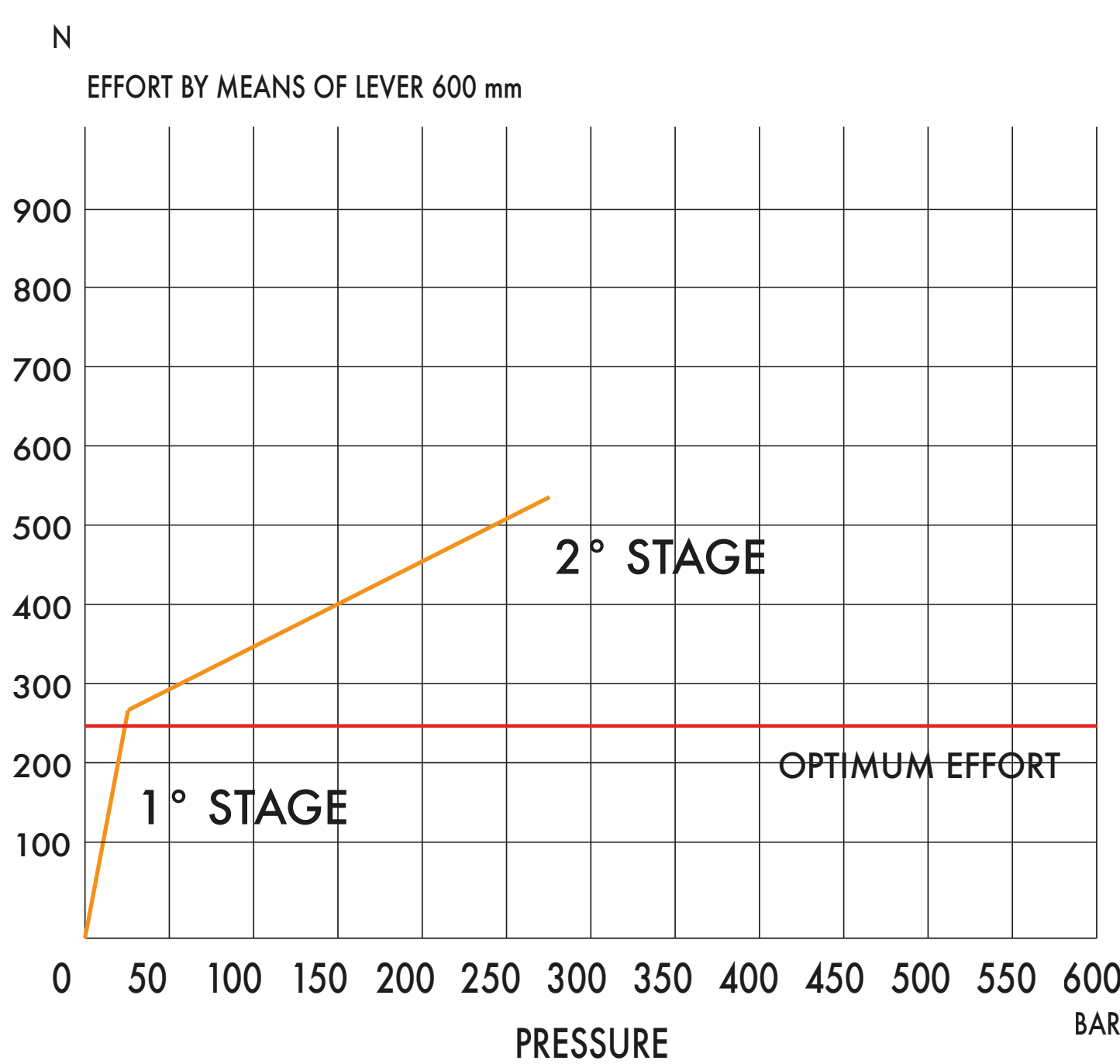
Pressure relief valve standard setting: **280 bar**



On Demand ATEX Certificates

II2G Ex h IIB TX Gb
II2D Ex h IIIB TX Db

EFFORT DIAGRAM



DISPLACEMENT cm ³	A mm	B mm	C mm	D °	E °	DISPLACEMENT cm ³		PRESSURE BAR		MASS KG	CODE
						STAGE 1	STAGE 2	STAGE 1	STAGE 2		
5-50	--	--	--	29	27	50,200	5,300	30	280	7,578	6070.6040



HV Hydraulic s.r.l. | Take YOU to another WORLD

Head Office
Via dell'Agricoltura, 162 Loc. Castello di Serravalle
40053 VALSAMOGGIA (BO) Italy

Warehouse
Via del Lavoro, 111 e 135 Loc. Castello di Serravalle
40053 VALSAMOGGIA (BO) Italy