

**Hand pumps**

**PM2V 5-80 Lm-byB-M-s**

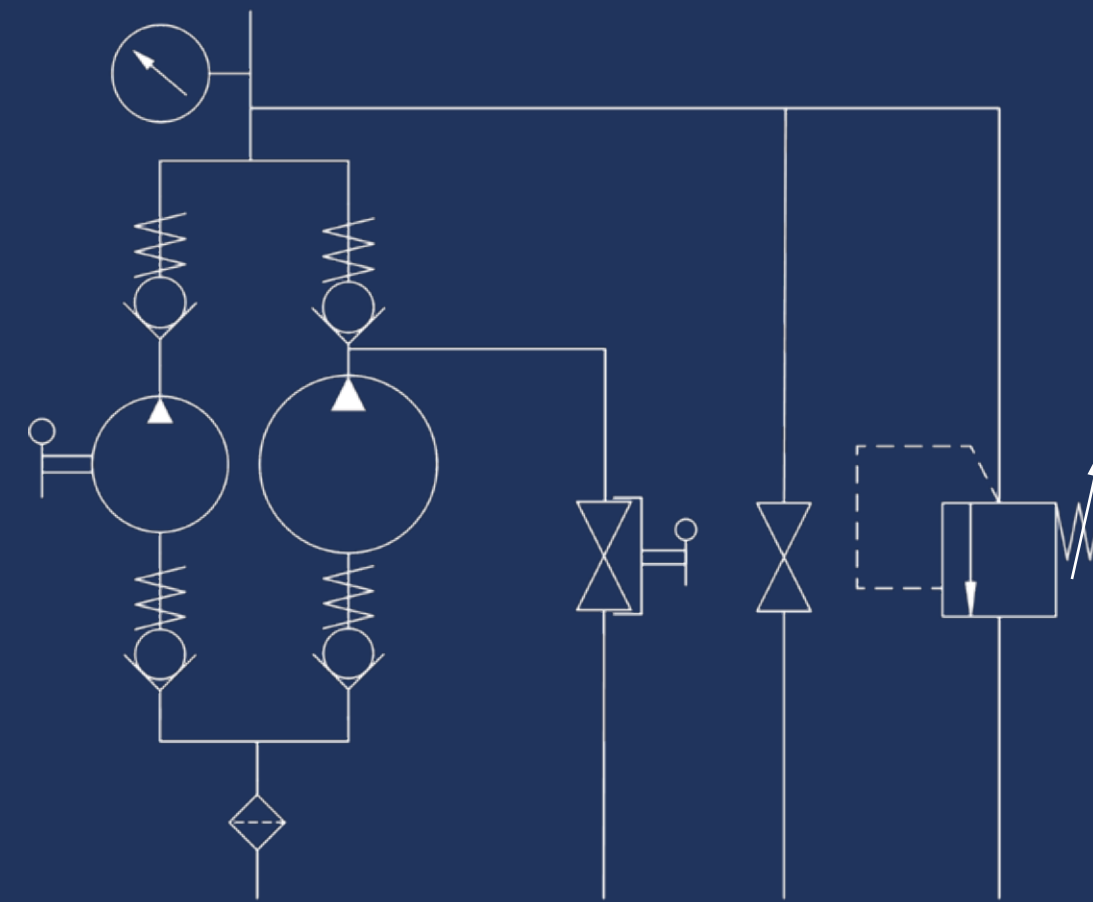
**Tech sheet**

**DETAILS**

with release hand knob  
with exclusion lever for the 1st speed  
with pressure relief valve and pressure-gauge two speed hand pump for a single acting cylinder for fixing to tank

**SPECIFICATIONS**

Cast iron body  
Piston treated with Niploy  
White zinc plated support lever  
Lever connection  $\varnothing 27$   
White zinc plated external parts  
Standard colour black  
Oil tank mounting kit included



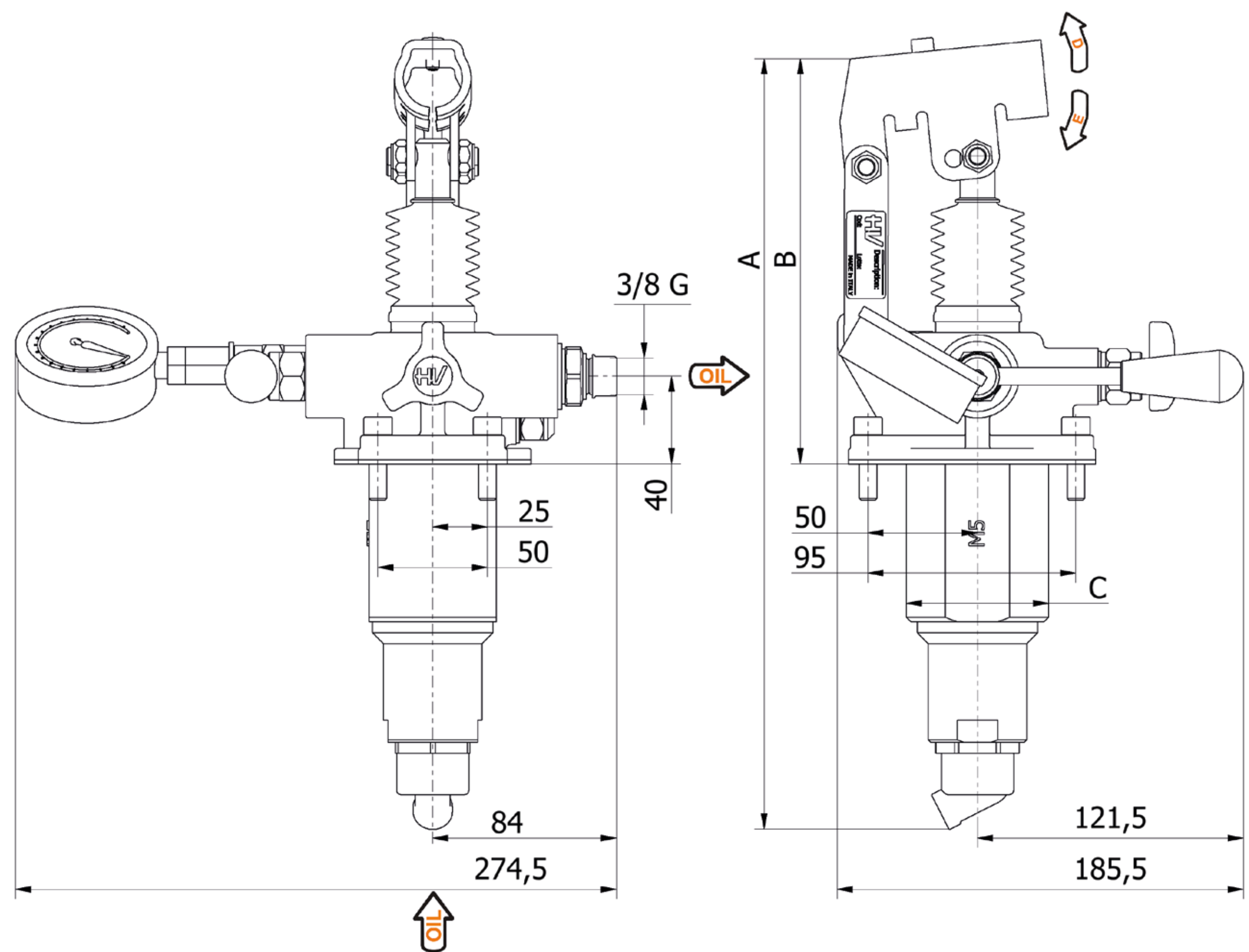
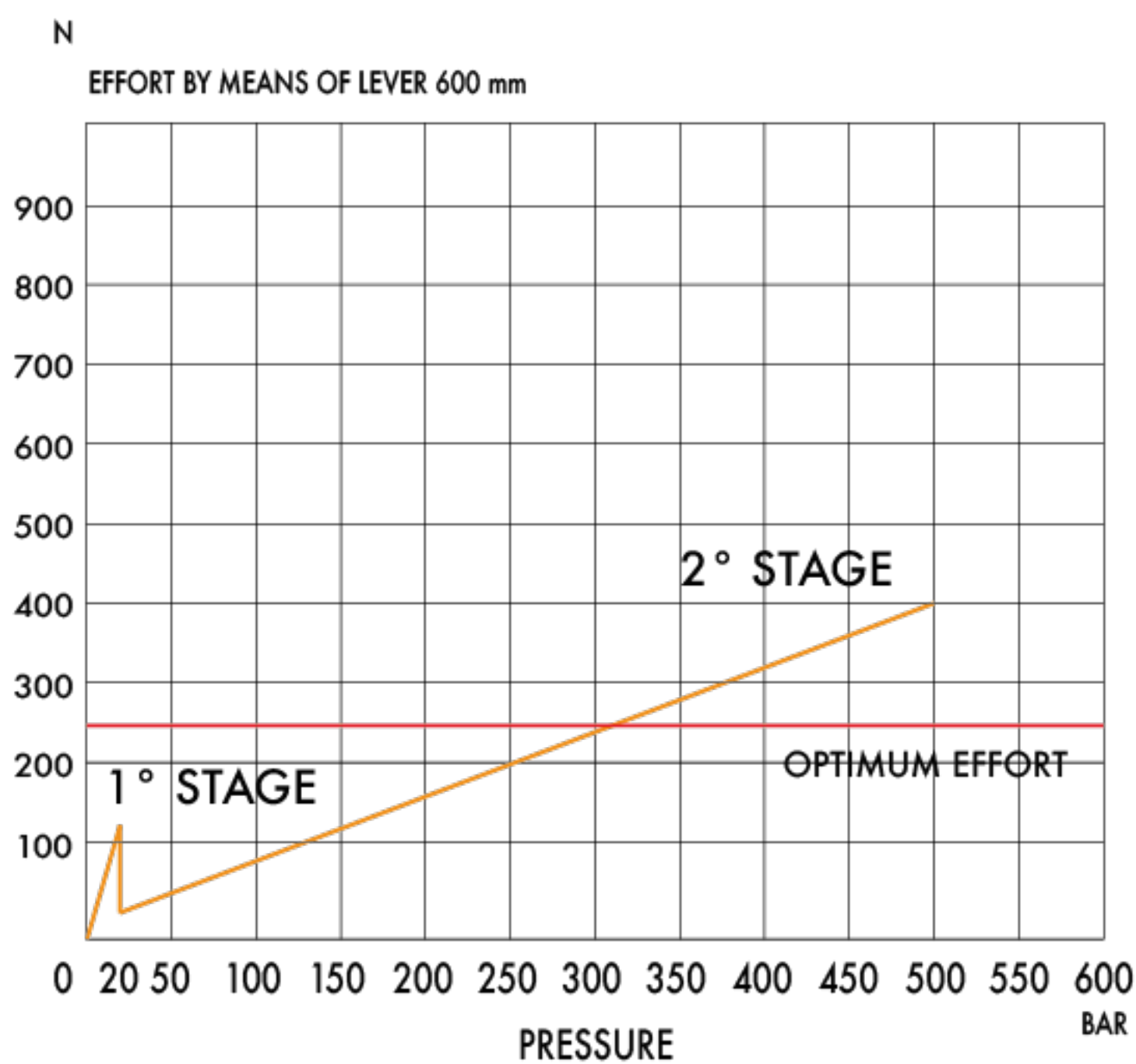
Pressure relief valve standard setting: **400 bar**



**On Demand ATEX Certificates**

I I2G Ex h IIB TX Gb  
I I2D Ex h IIIB TX Db

**EFFORT DIAGRAM**



DISPLACEMENT cm <sup>3</sup>	A mm	B mm	C mm	D °	E °	DISPLACEMENT cm <sup>3</sup>		PRESSURE BAR		MASS KG	CODE
						STAGE 1	STAGE 2	STAGE 1	STAGE 2		
5-80	354	165	65	30	32	80,588	5,036	20	500	6,200	6071.0132



**HV Hydraulic s.r.l.** | Take YOU to another WORLD

**Head Office**  
Via dell'Agricoltura, 162 Loc. Castello di Serravalle  
40053 VALSAMOGGIA (BO) Italy

**Warehouse**  
Via del Lavoro, 111 e 135 Loc. Castello di Serravalle  
40053 VALSAMOGGIA (BO) Italy