

Hand pumps

PM2V 5-80 α-M-s

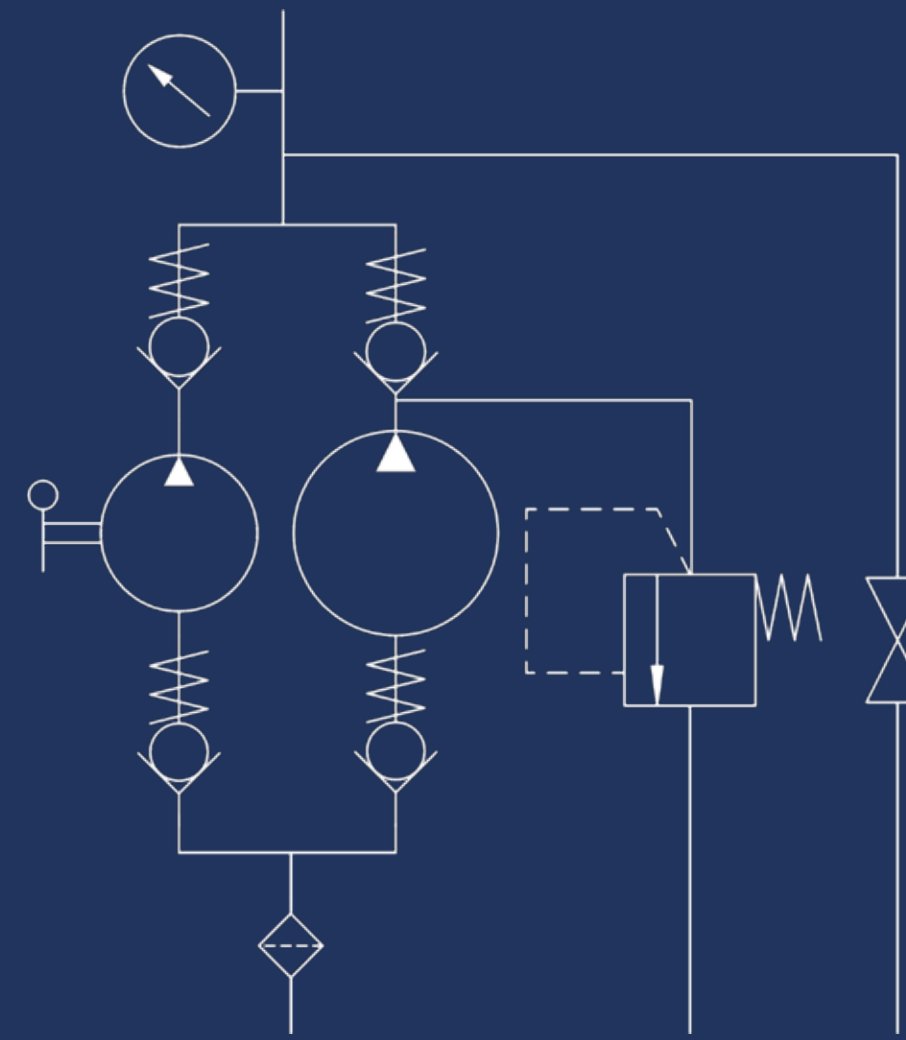
Tech sheet

DETAILS

with release hand knob
with automatic control for the 1st speed
with pressure-gauge
two speed hand pump for a single acting cylinder
for fixing to tank

SPECIFICATIONS

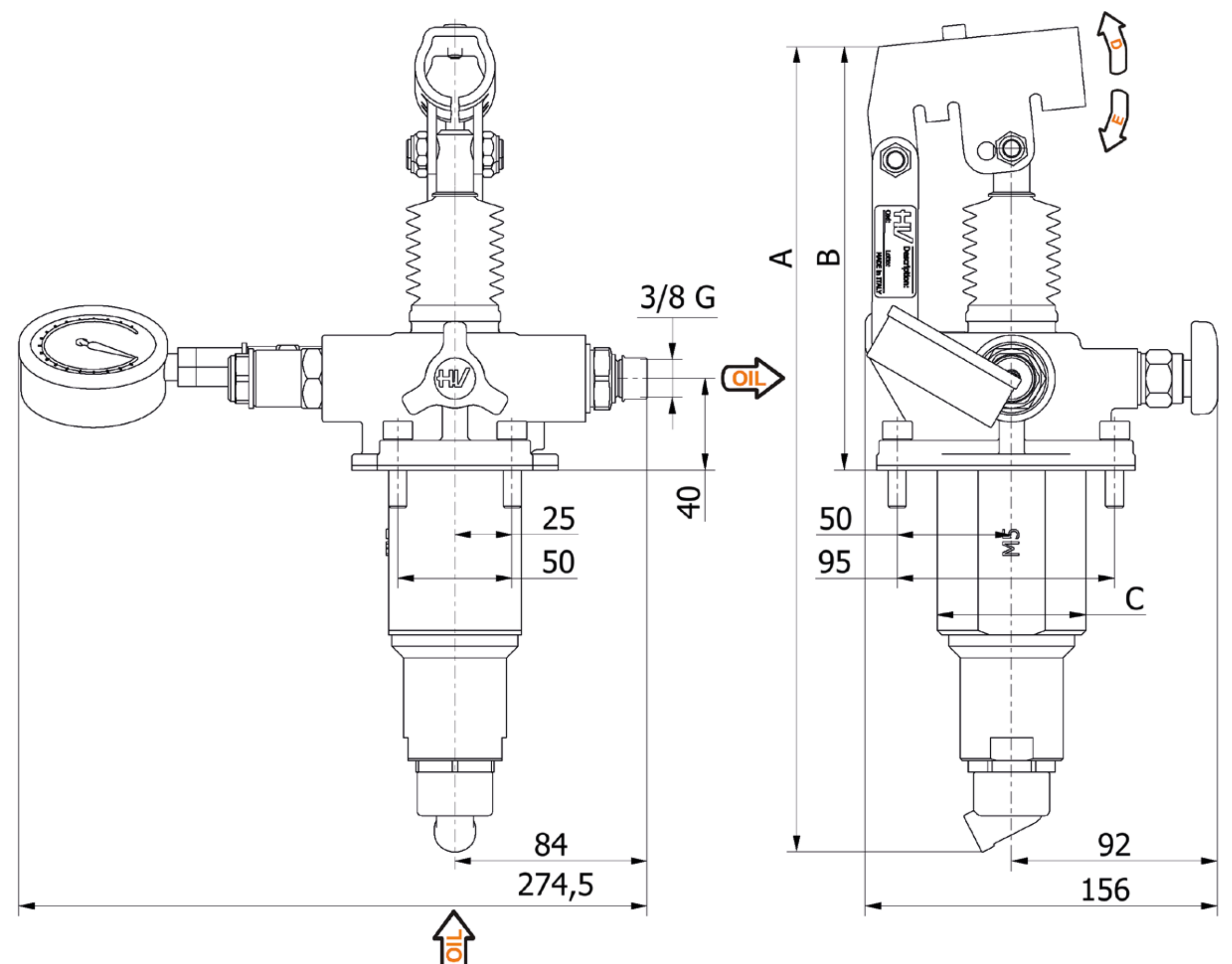
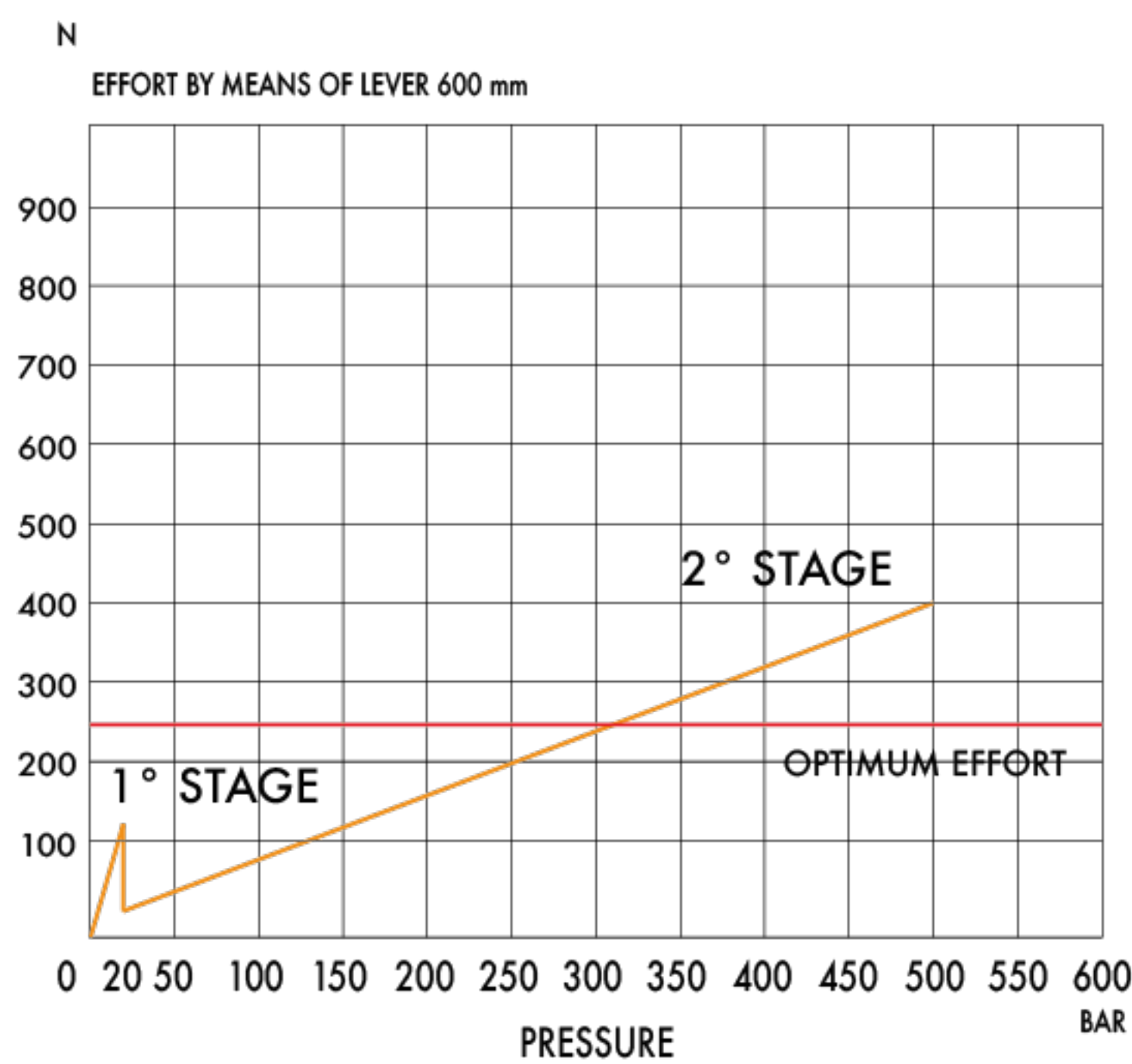
Cast iron body
Piston treated with Niploy
White zinc plated support lever
Lever connection Ø 27
White zinc plated external parts
Standard colour black
Oil tank mounting kit included



On Demand ATEX Certificates

II2G Ex h IIB TX Gb
II2D Ex h IIIB TX Db

EFFORT DIAGRAM



| DISPLACEMENT cm ³ | A mm | B mm | C mm | D ° | E ° | DISPLACEMENT cm ³ | | PRESSURE BAR | | MASS KG | CODE |
|---------------------------------|---------|---------|---------|--------|--------|------------------------------|---------|--------------|---------|------------|-----------|
| | | | | | | STAGE 1 | STAGE 2 | STAGE 1 | STAGE 2 | | |
| 5-80 | 354 | 165 | 65 | 30 | 32 | 80,588 | 5,036 | 20 | 500 | 6,200 | 6071.0136 |
| | | | | | | | | | | | |
| | | | | | | | | | | | |
| | | | | | | | | | | | |
| | | | | | | | | | | | |



HV Hydraulic s.r.l. | Take YOU to another WORLD

Head Office
Via dell'Agricoltura, 162 Loc. Castello di Serravalle
40053 VALSAMOGGIA (BO) Italy

Warehouse
Via del Lavoro, 111 e 135 Loc. Castello di Serravalle
40053 VALSAMOGGIA (BO) Italy