

Hand pumps

PMDVB 6-12-25-45 cc-s

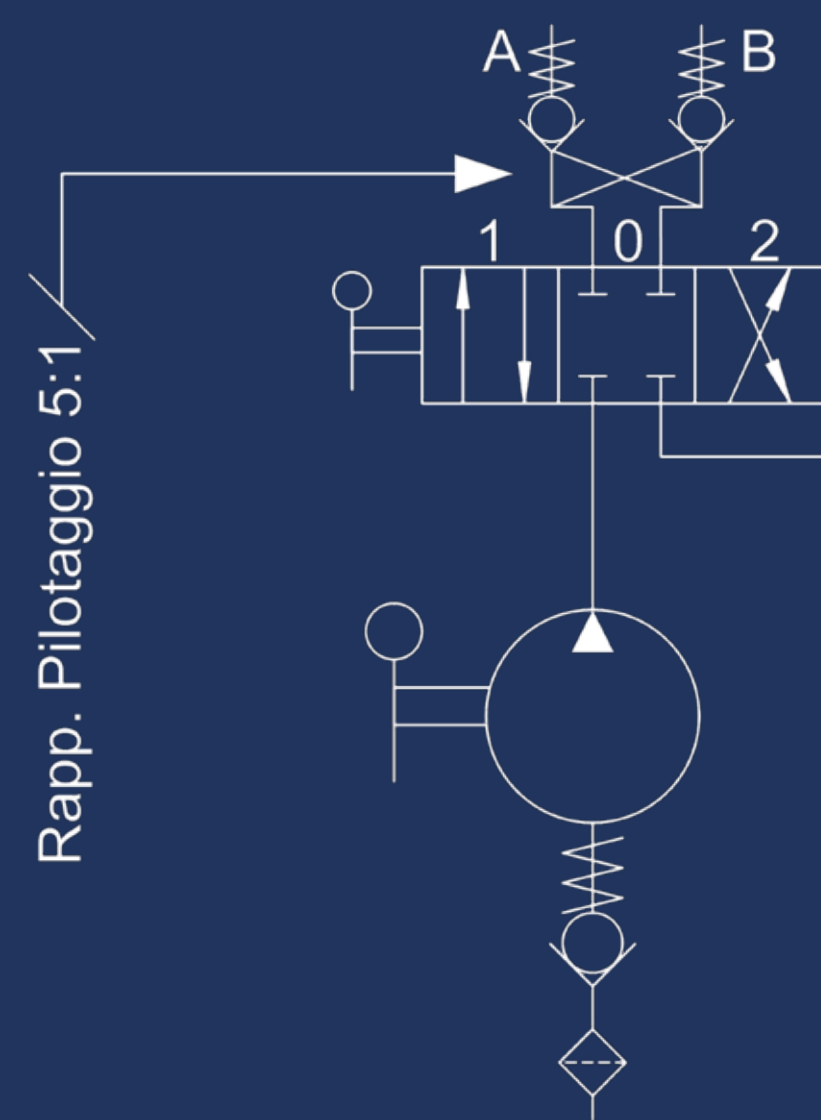
Tech sheet

DETAILS

with 4/3 diverter closed centre
with dual pilot check valve
with brakes
double acting hand pump for a double acting cylinder
for fixing to tank

SPECIFICATIONS

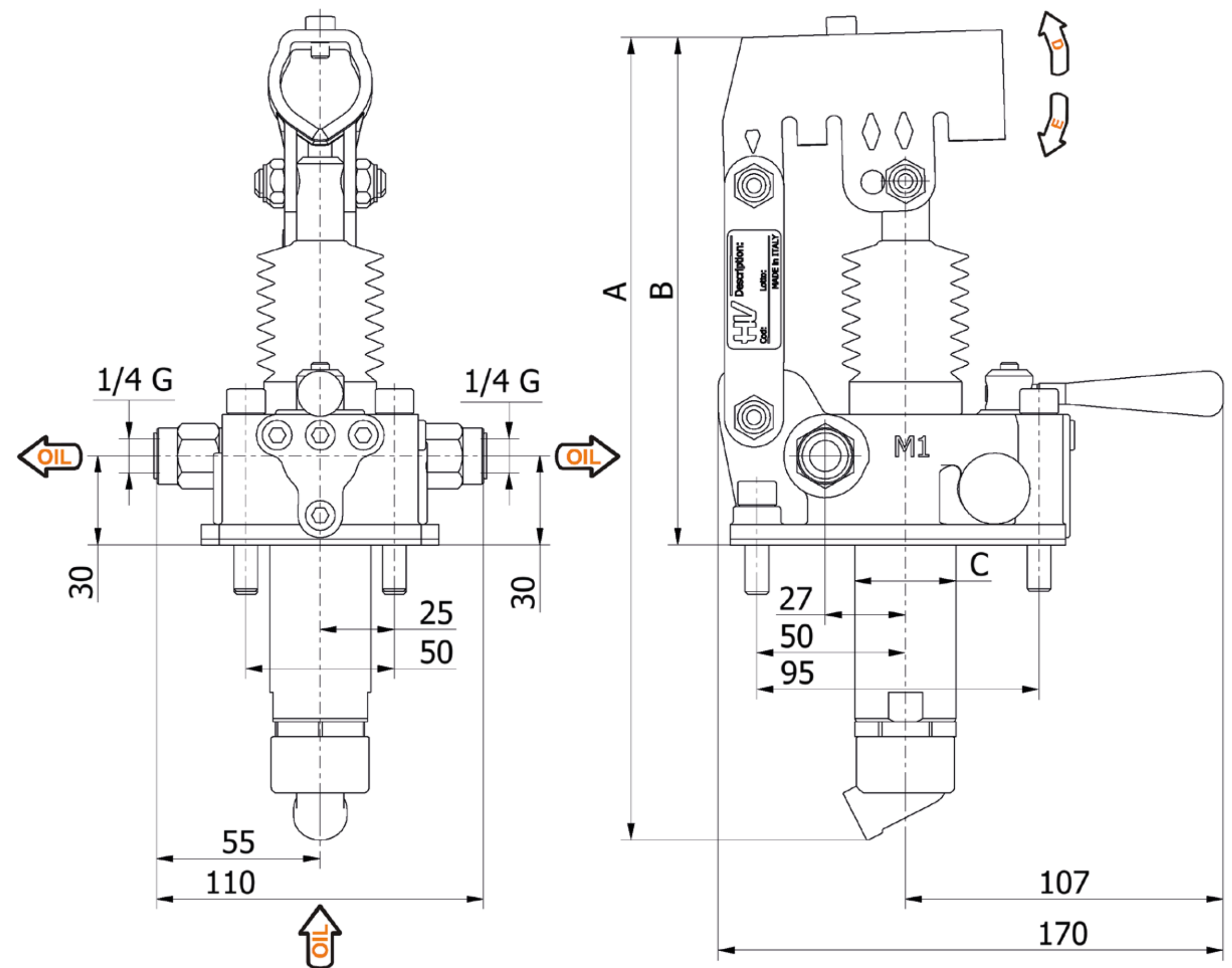
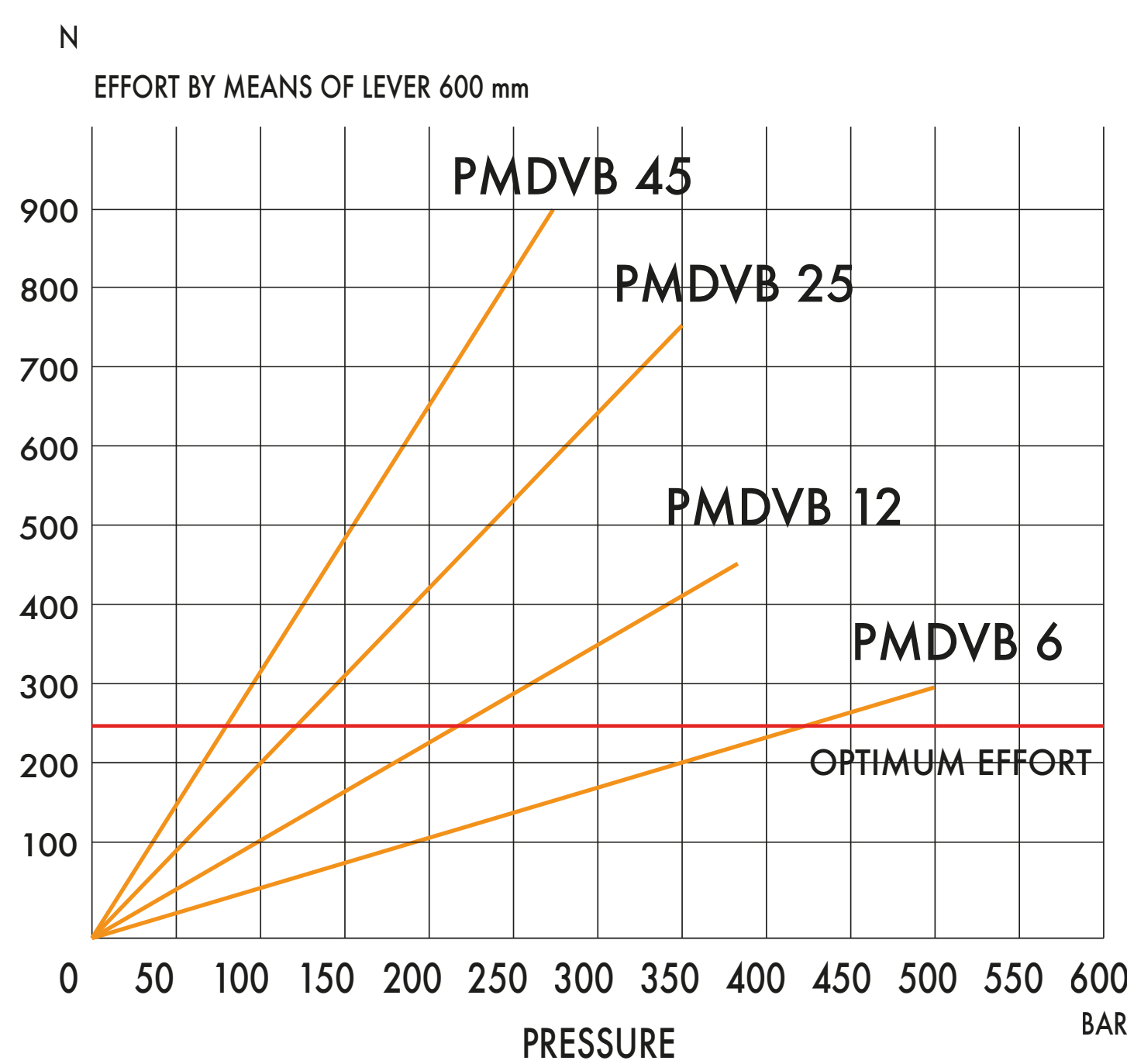
Cast iron body
Piston treated with Niploy
White zinc plated support lever
Lever connection Ø 27
White zinc plated external parts
Standard colour black
Oil tank mounting kit included
With hydraulic brakes to operate under 50 bar pressure



On Demand ATEX Certificates

II2G Ex h IIB TX Gb
II2D Ex h IIIB TX Db

EFFORT DIAGRAM



DISPLACEMENT cm ³	A mm	B mm	C mm	D °	E °	ACTUAL DISPLACEMENT cm ³	PRESSURE BAR		MASS KG	CODE
							OPTIMAL	MAX		
6	253	166	34	26	31	6,970	420	500	3,400	6059.0101
12	253	166	34	26	31	12,095	220	380	3,400	6060.0101
25	273	172	34	30	30	25,280	120	350	3,450	6061.0101
45	283	172	40	45	33	44,532	80	280	3,500	6062.0101



HV Hydraulic s.r.l. | Take YOU to another WORLD

Head Office
Via dell'Agricoltura, 162 Loc. Castello di Serravalle
40053 VALSAMOGGIA (BO) Italy

Warehouse
Via del Lavoro, 111 e 135 Loc. Castello di Serravalle
40053 VALSAMOGGIA (BO) Italy