

**Hand pumps**

**PMO 50 e**

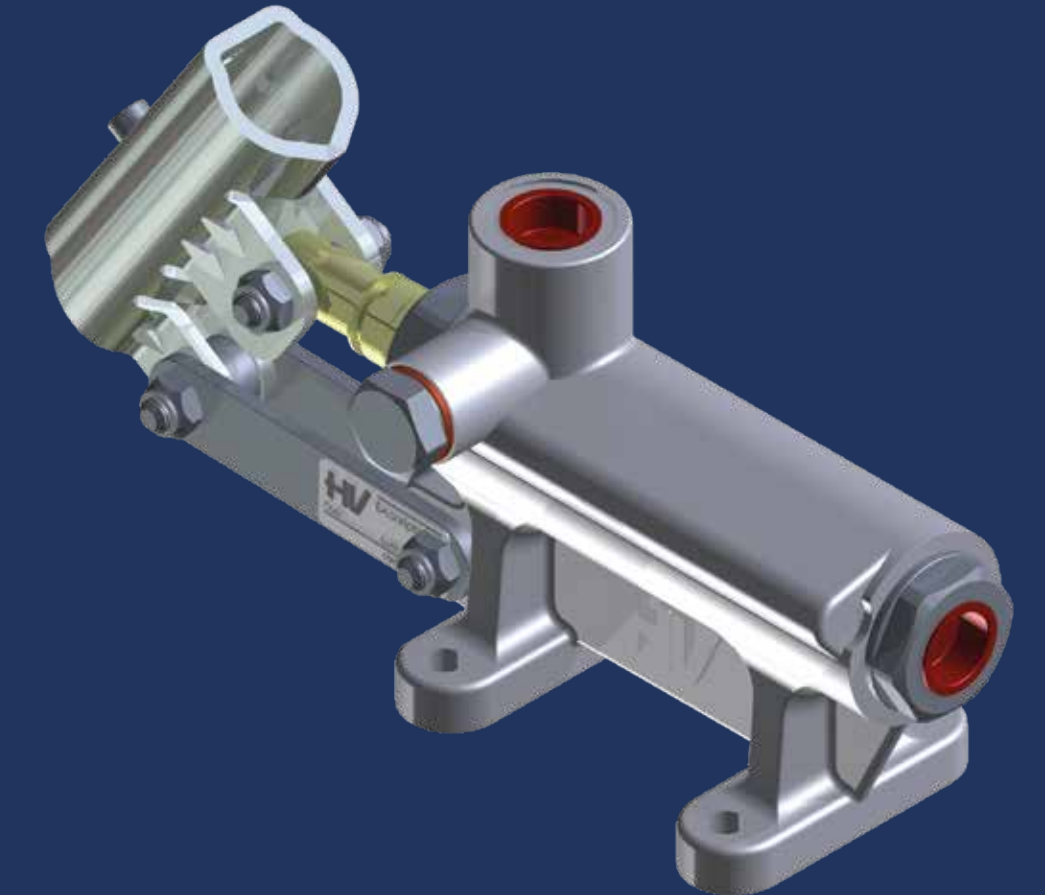
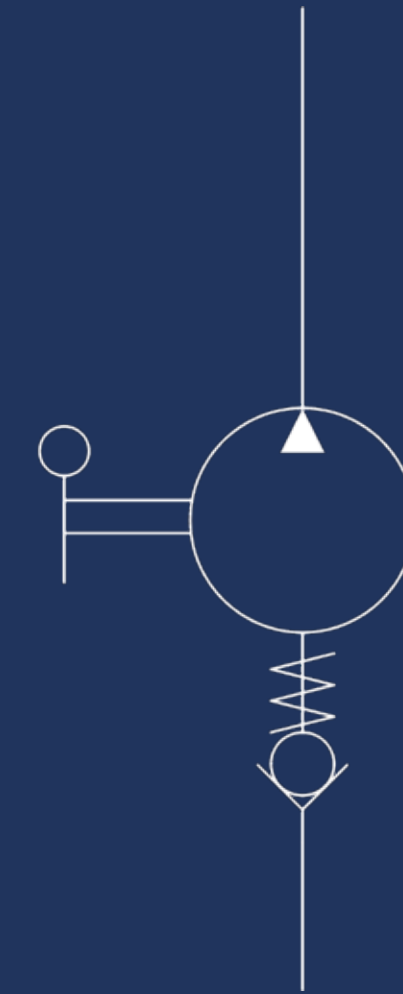
**Tech sheet**

**DETAILS**

without release hand knob  
double acting hand pump for single acting cylinder  
for fixing to wall

**SPECIFICATIONS**

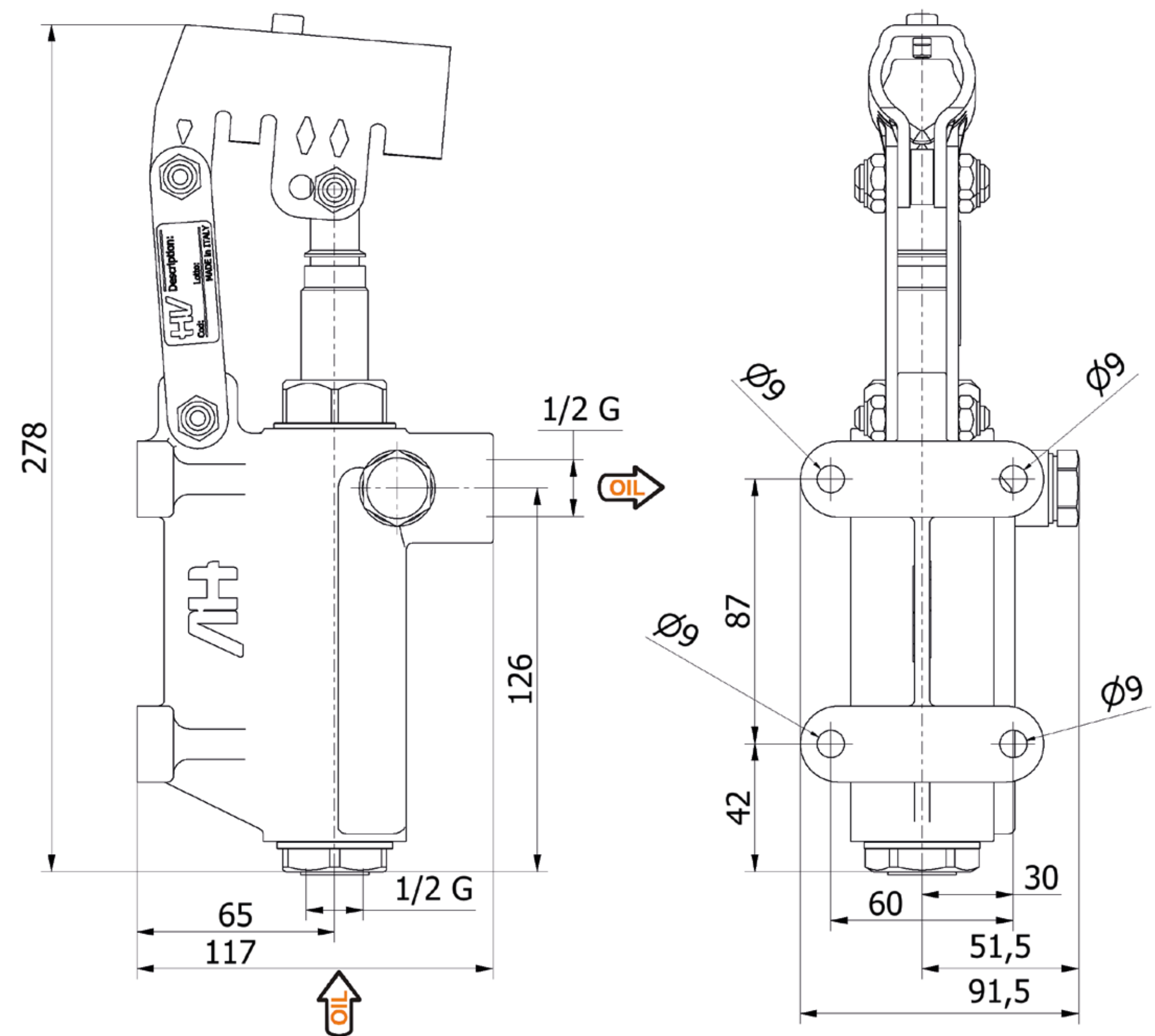
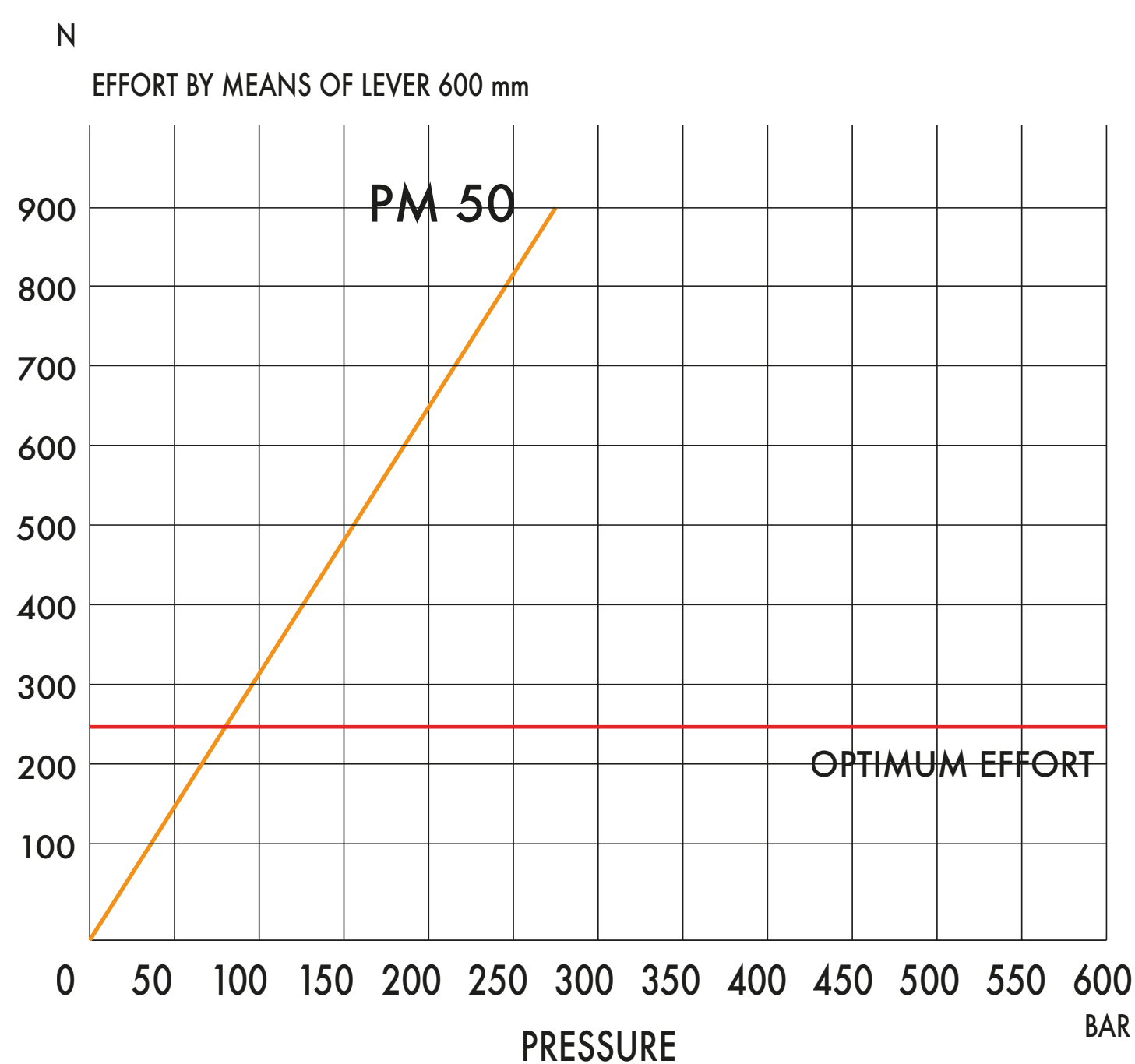
Aluminium body  
Piston treated with Niploy  
White zinc plated support lever  
Lever connection  $\varnothing 27$   
White zinc plated external parts



**On Demand ATEX Certificates**

II2G Ex h IIB TX Gb  
II2D Ex h IIIB TX Db

**EFFORT DIAGRAM**



DISPLACEMENT cm <sup>3</sup>	A mm	B mm	C mm	D °	E °	ACTUAL DISPLACEMENT cm <sup>3</sup>	PRESSURE BAR		MASS KG	CODE
							OPTIMAL	MAX		
50	--	--	--	--	--	43,825	80	280	2,060	6077.5001



**HV Hydraulic s.r.l.** | Take YOU to another WORLD

**Head Office**  
Via dell'Agricoltura, 162 Loc. Castello di Serravalle  
40053 VALSAMOGGIA (BO) Italy

**Warehouse**  
Via del Lavoro, 111 e 135 Loc. Castello di Serravalle  
40053 VALSAMOGGIA (BO) Italy