

Hand pumps

PMP 25 ep

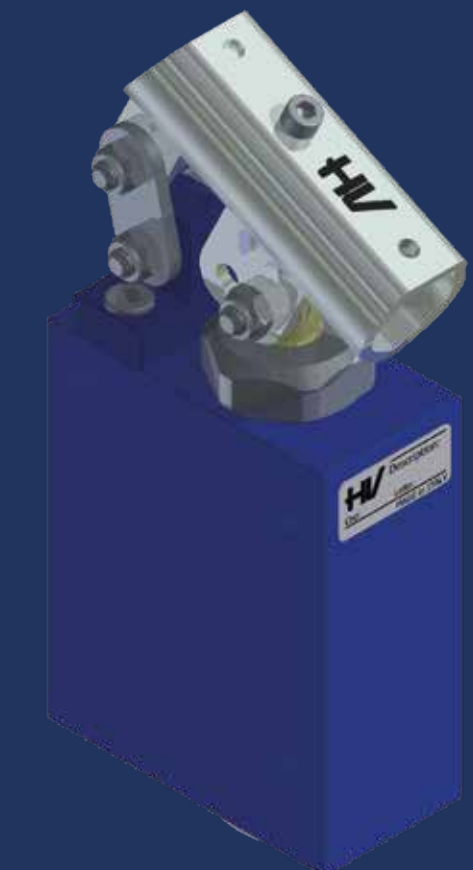
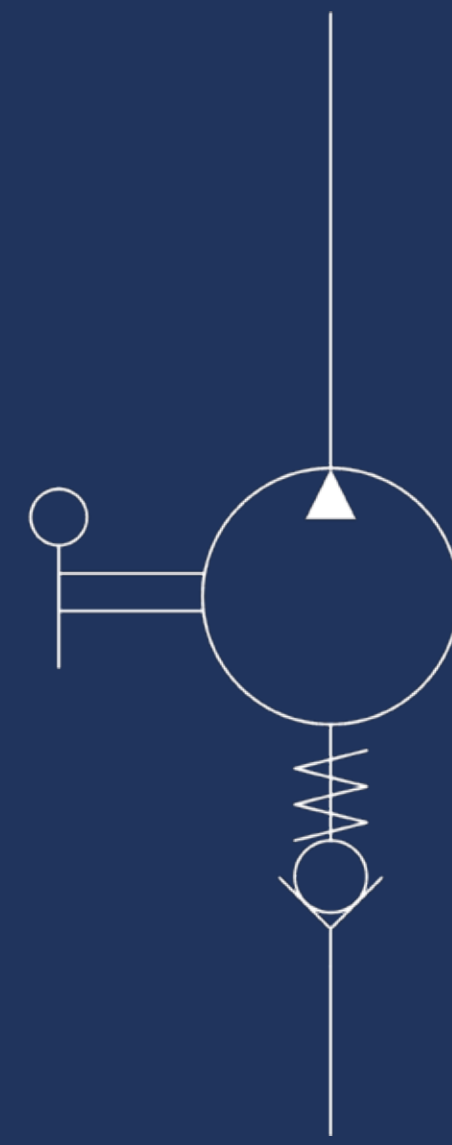
Tech sheet

DETAILS

without release hand knob  
double acting hand pump for a single acting cylinder  
for fixing to a wall

SPECIFICATIONS

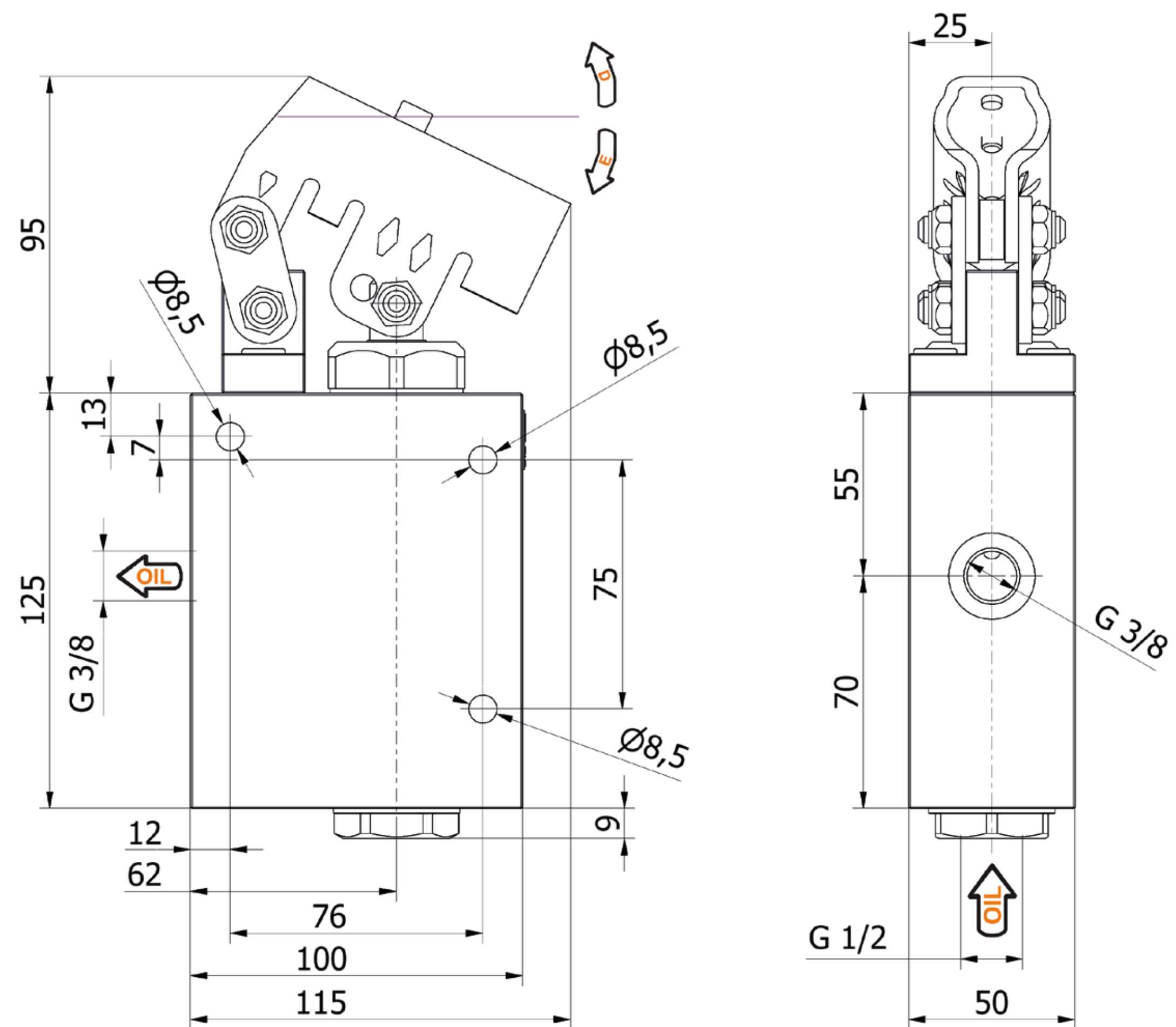
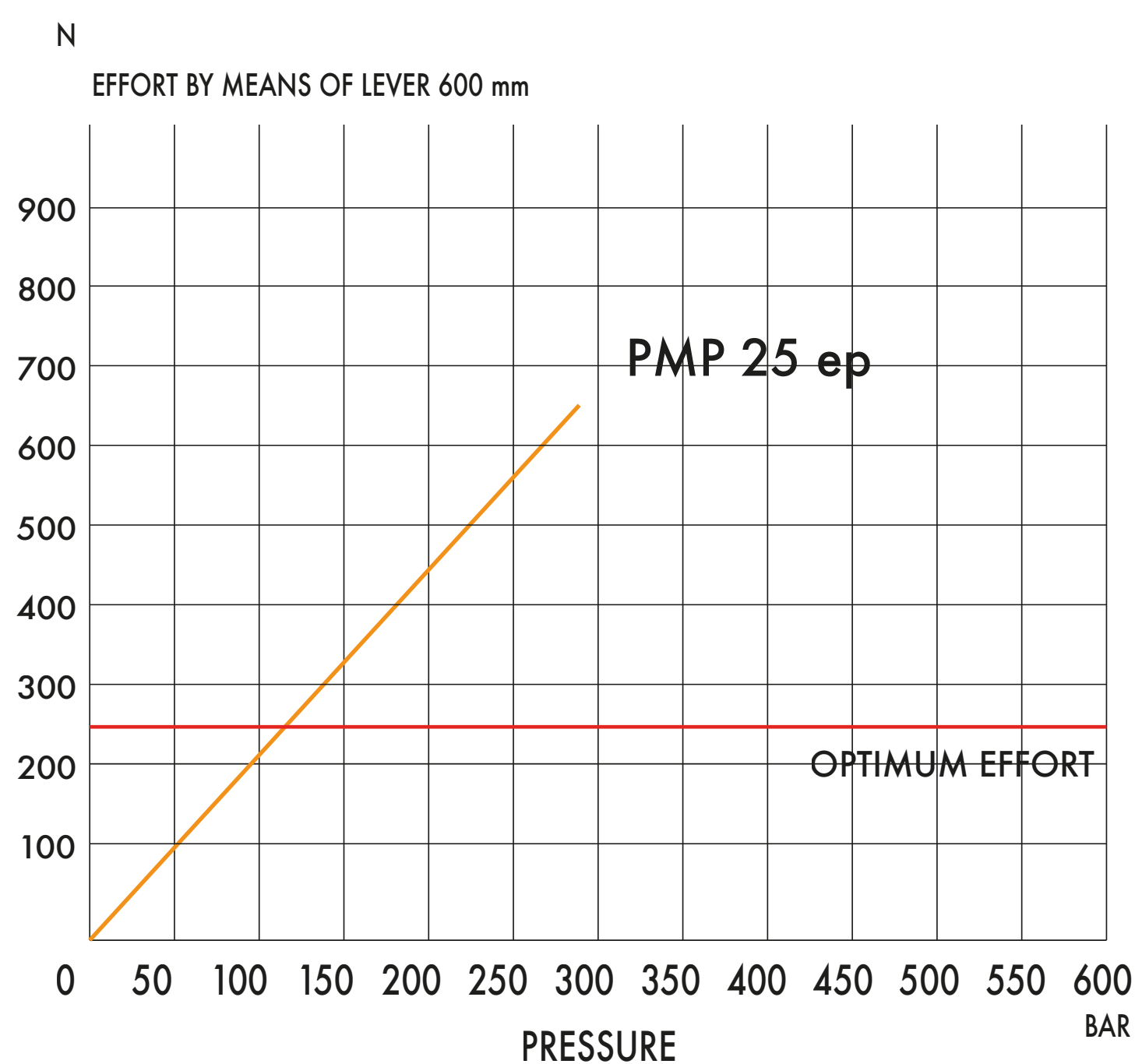
Anticorodal aluminium body  
Niploy coated piston  
White zinc plated support lever  
Lever connection  $\varnothing 27$   
White zinc plated external parts



On Demand ATEX Certificates

II2G Ex h IIB TX Gb  
II2D Ex h IIB TX Db

EFFORT DIAGRAM



| DISPLACEMENT<br>cm <sup>3</sup> | A<br>mm | B<br>mm | C<br>mm | D<br>° | E<br>° | ACTUAL<br>DISPLACEMENT<br>cm <sup>3</sup> | PRESSURE BAR |     | MASS<br>KG | CODE      |
|---------------------------------|---------|---------|---------|--------|--------|---|--------------|-----|------------|-----------|
|                                 |         |         |         |        |        |   | OPTIMAL      | MAX |            |           |
| 25                              | --      | --      | --      | 31     | 26     | 24,040                                    | 100          | 300 | 2,630      | 6075.0103 |
|                                 |         |         |         |        |        |   |              |     |            |           |
|                                 |         |         |         |        |        |   |              |     |            |           |
|                                 |         |         |         |        |        |   |              |     |            |           |
|                                 |         |         |         |        |        |   |              |     |            |           |



HV Hydraulic s.r.l. | Take YOU to another WORLD

Head Office  
Via dell'Agricoltura, 162 Loc. Castello di Serravalle  
40053 VALSAMOGGIA (BO) Italy

Warehouse  
Via del Lavoro, 111 e 135 Loc. Castello di Serravalle  
40053 VALSAMOGGIA (BO) Italy