

Hand pumps

PMSE 20-30-40 byC-e-s

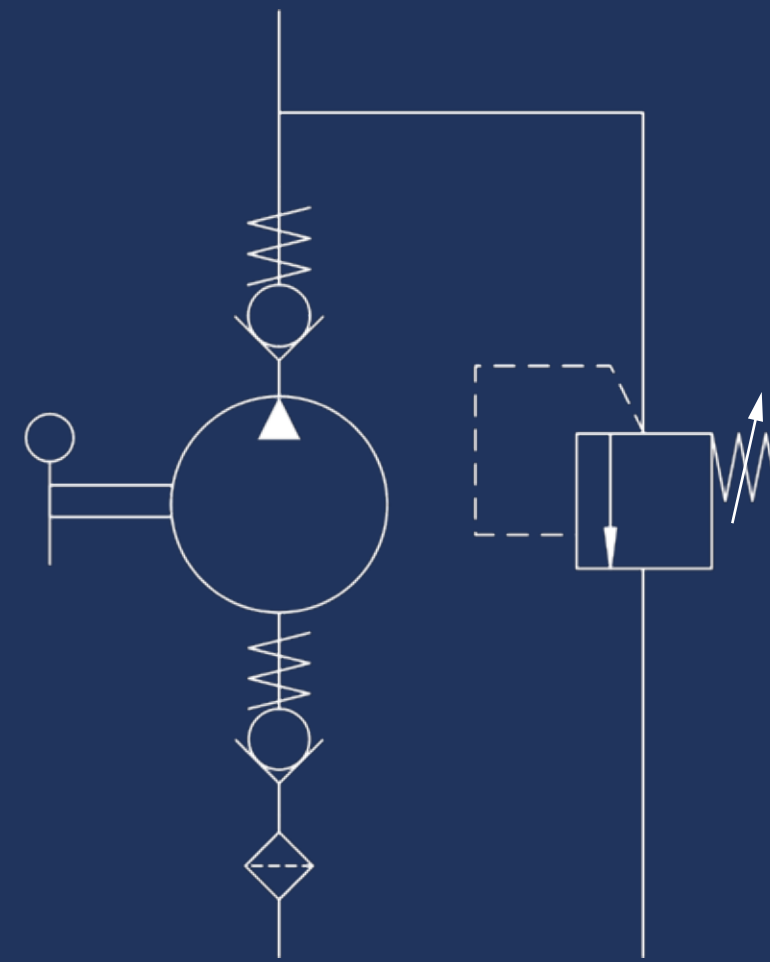
Tech sheet

DETAILS

without release hand knob
with pressure relief valve
single acting hand pump for a single acting cylinder
for fixing to tank

SPECIFICATIONS

Cast iron body
Piston treated with Niploy
White zinc plated support lever
Lever connection \varnothing 27
White zinc plated external parts
Standard colour black
Oil tank mounting kit included



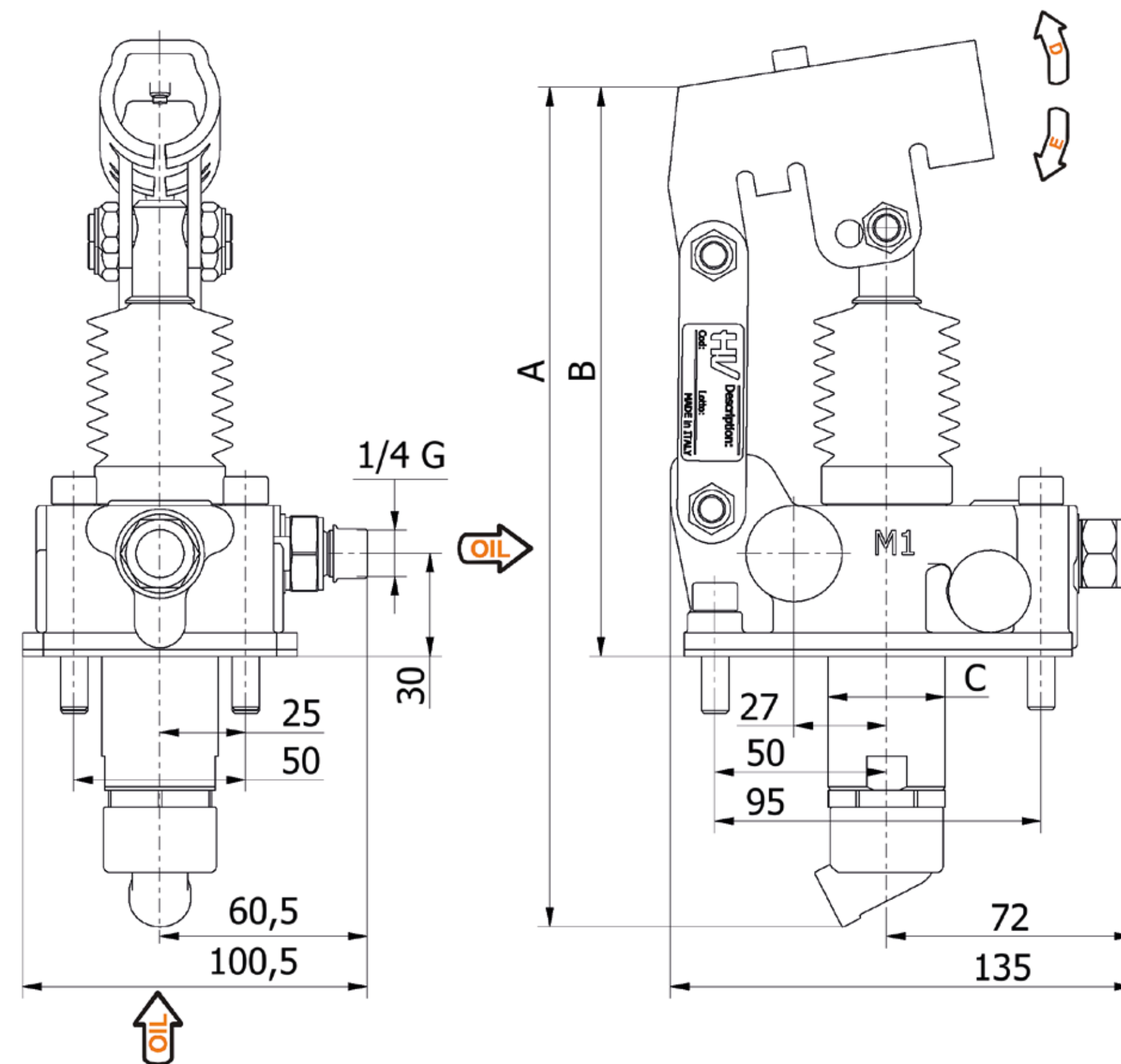
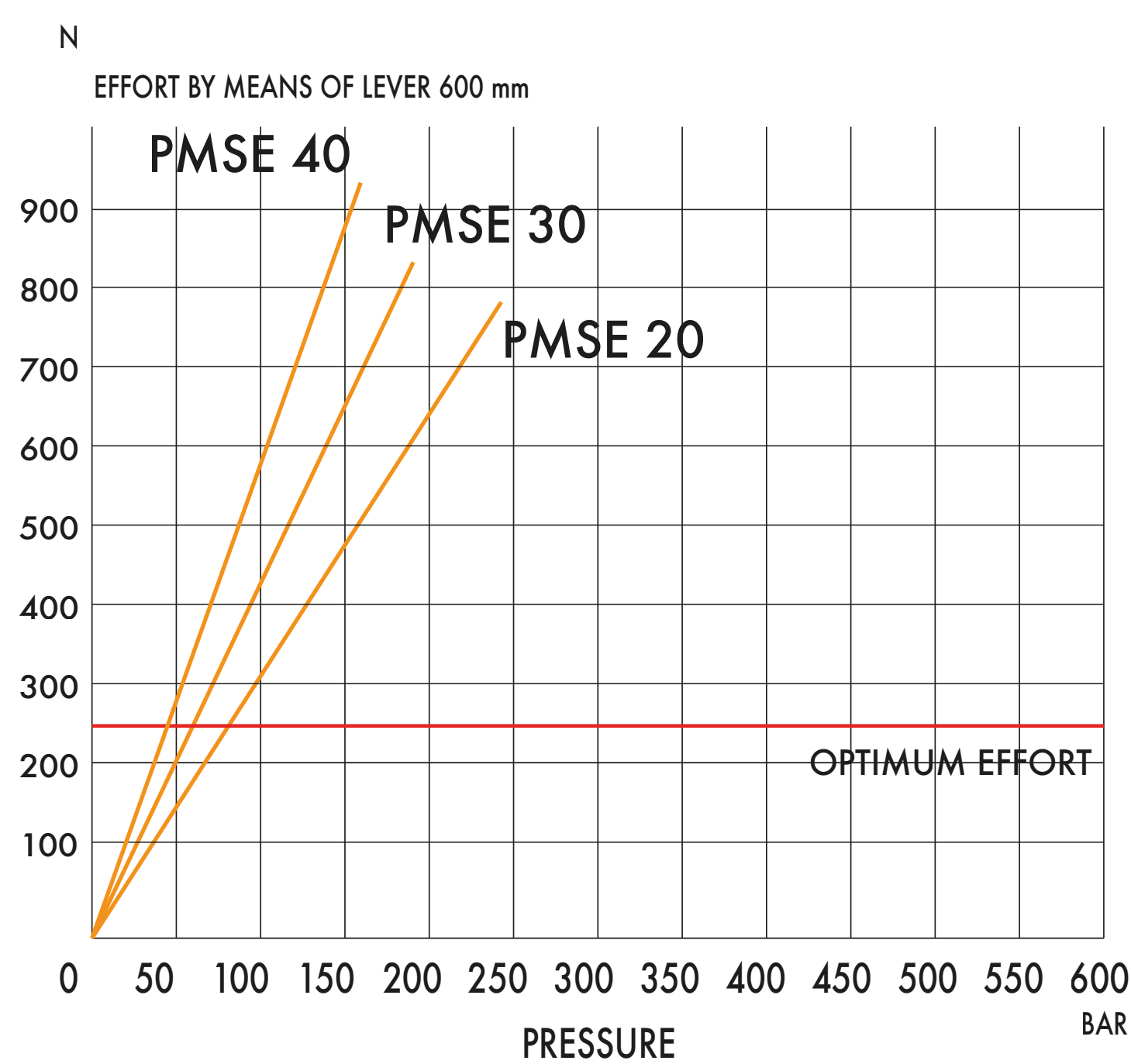
Pressure relief valve standard setting: **100 bar**



On Demand ATEX Certificates

II2G Ex h IIB TX Gb
II2D Ex h IIIB TX Db

EFFORT DIAGRAM



| DISPLACEMENT cm ³ | A mm | B mm | C mm | D ° | E ° | ACTUAL DISPLACEMENT cm ³ | PRESSURE BAR | | MASS KG | CODE |
|---------------------------------|---------|---------|---------|--------|--------|---|--------------|-----|------------|-----------|
| | | | | | | | OPTIMAL | MAX | | |
| 20 | 249 | 167 | 34 | 35 | 29 | 20,527 | 80 | 240 | 3,100 | 6067.0040 |
| 30 | 252 | 167 | 34 | 38 | 26 | 30,262 | 60 | 185 | 3,200 | 6068.0040 |
| 40 | 252 | 167 | 40 | 38 | 26 | 40,290 | 40 | 160 | 3,300 | 6069.0040 |
| | | | | | | | | | | |
| | | | | | | | | | | |



HV Hydraulic s.r.l. | Take YOU to another WORLD

Head Office
Via dell'Agricoltura, 162 Loc. Castello di Serravalle
40053 VALSAMOGGIA (BO) Italy

Warehouse
Via del Lavoro, 111 e 135 Loc. Castello di Serravalle
40053 VALSAMOGGIA (BO) Italy