

Hand pumps

PMSE 20-30-40 e-s

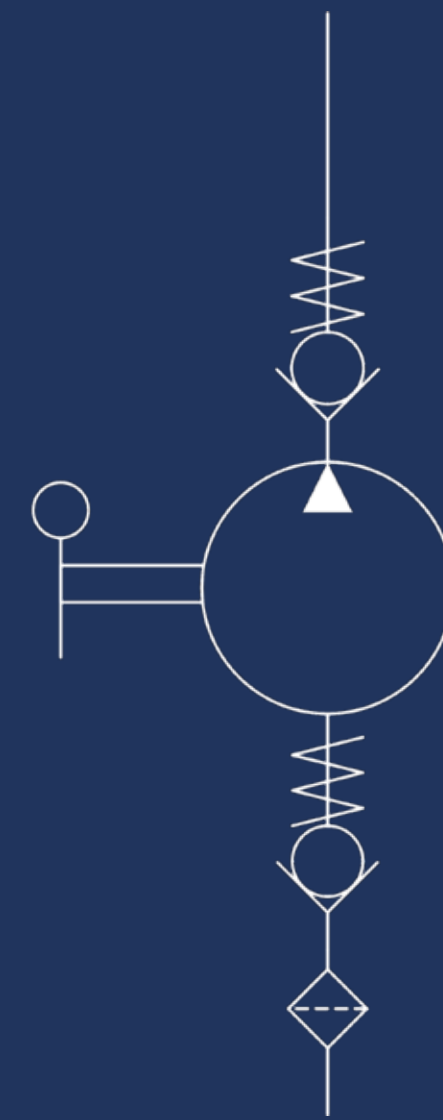
Tech sheet

DETAILS

without release hand knob
single acting hand pump for a single acting cylinder
for fixing to tank

SPECIFICATIONS

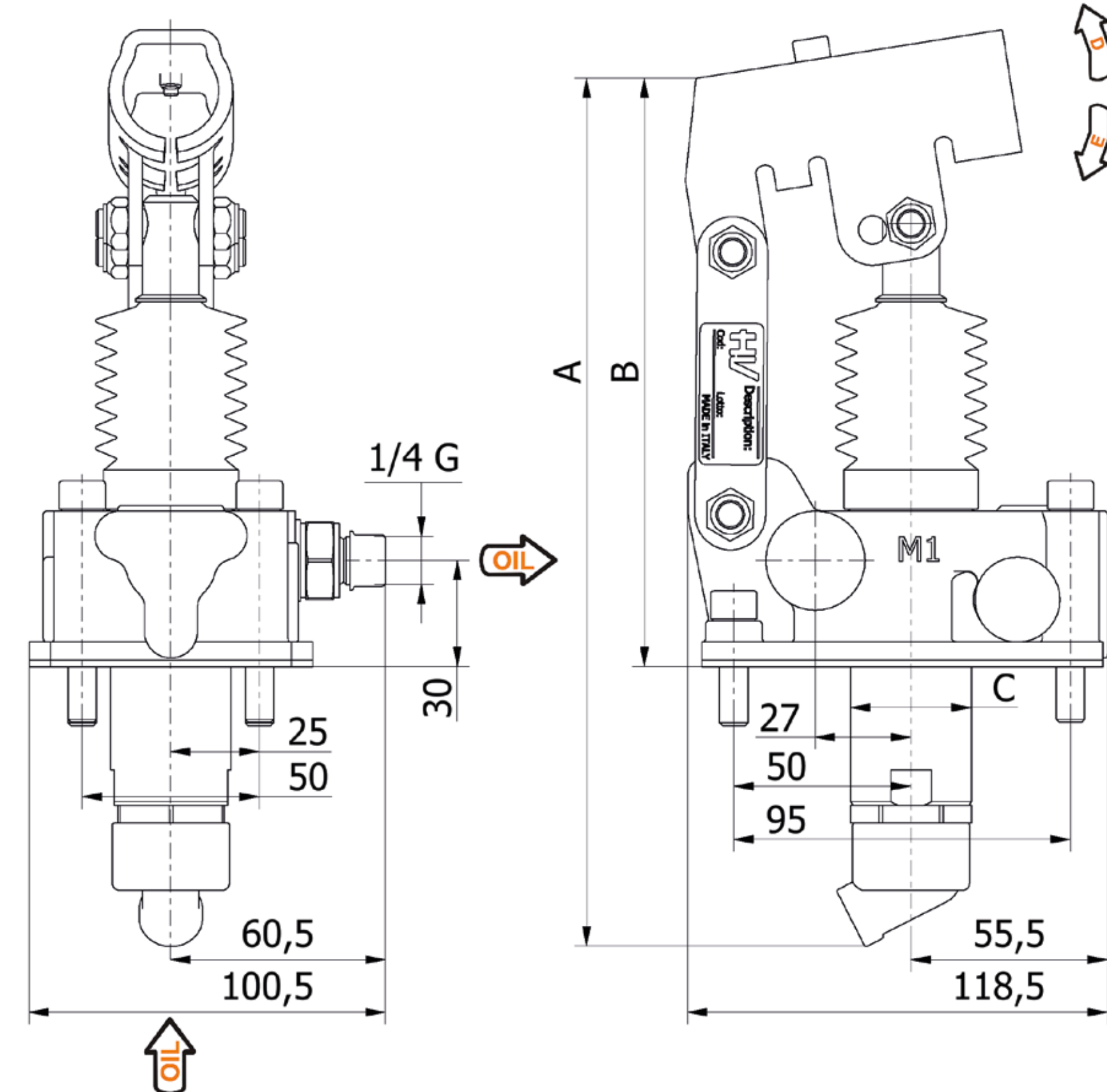
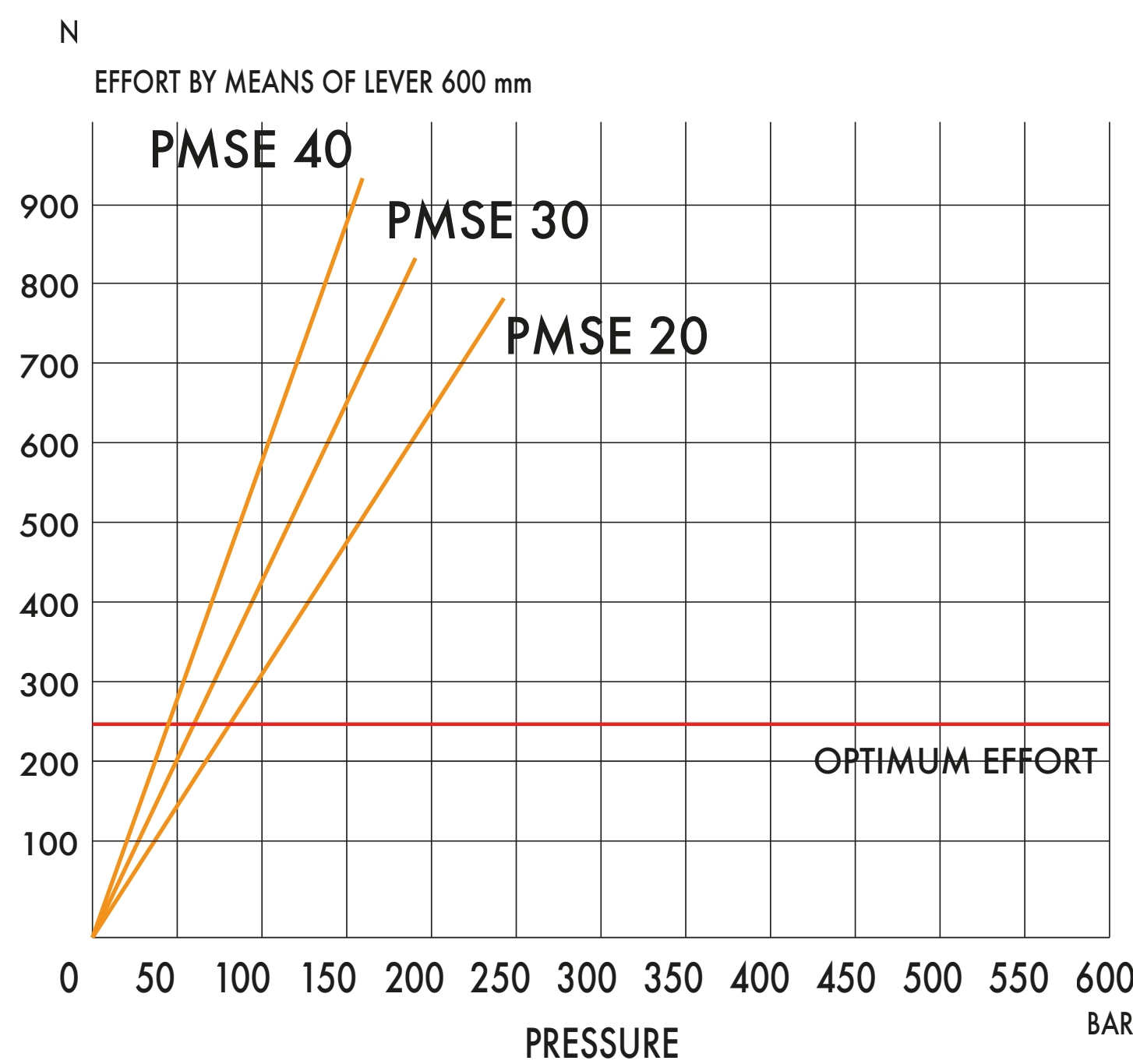
Cast iron body
Piston treated with Niploy
White zinc plated support lever
Lever connection $\varnothing 27$
White zinc plated external parts
Standard colour black
Oil tank mounting kit included



On Demand ATEX Certificates

II2G Ex h IIB TX Gb
II2D Ex h IIIB TX Db

EFFORT DIAGRAM



DISPLACEMENT cm ³	A mm	B mm	C mm	D °	E °	ACTUAL DISPLACEMENT cm ³	PRESSURE BAR		MASS KG	CODE
							OPTIMAL	MAX		
20	249	167	34	35	29	20,527	80	240	3,100	6067.0039
30	252	167	34	38	26	30,262	60	185	3,200	6068.0039
40	252	167	40	38	26	40,290	40	160	3,300	6069.0039



HV Hydraulic s.r.l. | Take YOU to another WORLD

Head Office
Via dell'Agricoltura, 162 Loc. Castello di Serravalle
40053 VALSAMOGGIA (BO) Italy

Warehouse
Via del Lavoro, 111 e 135 Loc. Castello di Serravalle
40053 VALSAMOGGIA (BO) Italy