

Hand pumps

PMSE 8-15 byA-e-s

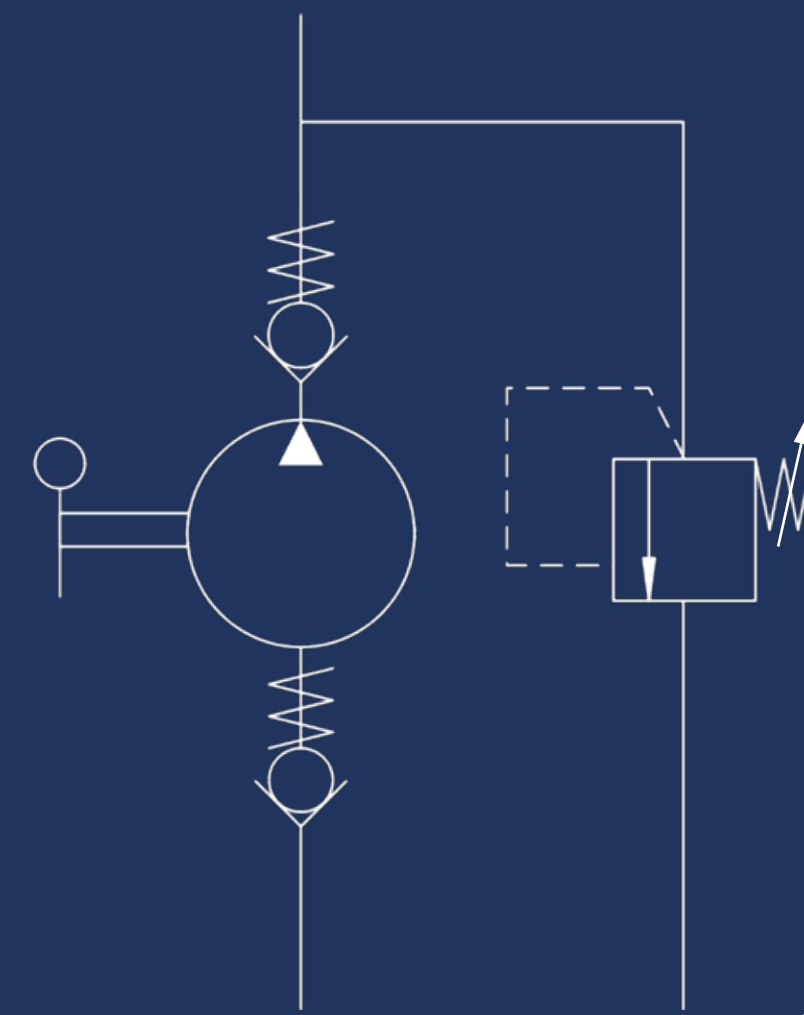
Tech sheet

DETAILS

without release hand knob  
with pressure relief valve  
single acting hand pump for a single acting cylinder for fixing to tank

SPECIFICATIONS

Cast iron body  
Piston treated with Niploy  
Iron cast support lever  
Lever connection Ø 20  
White zinc plated external parts  
Standard colour black  
Oil tank mounting kit included



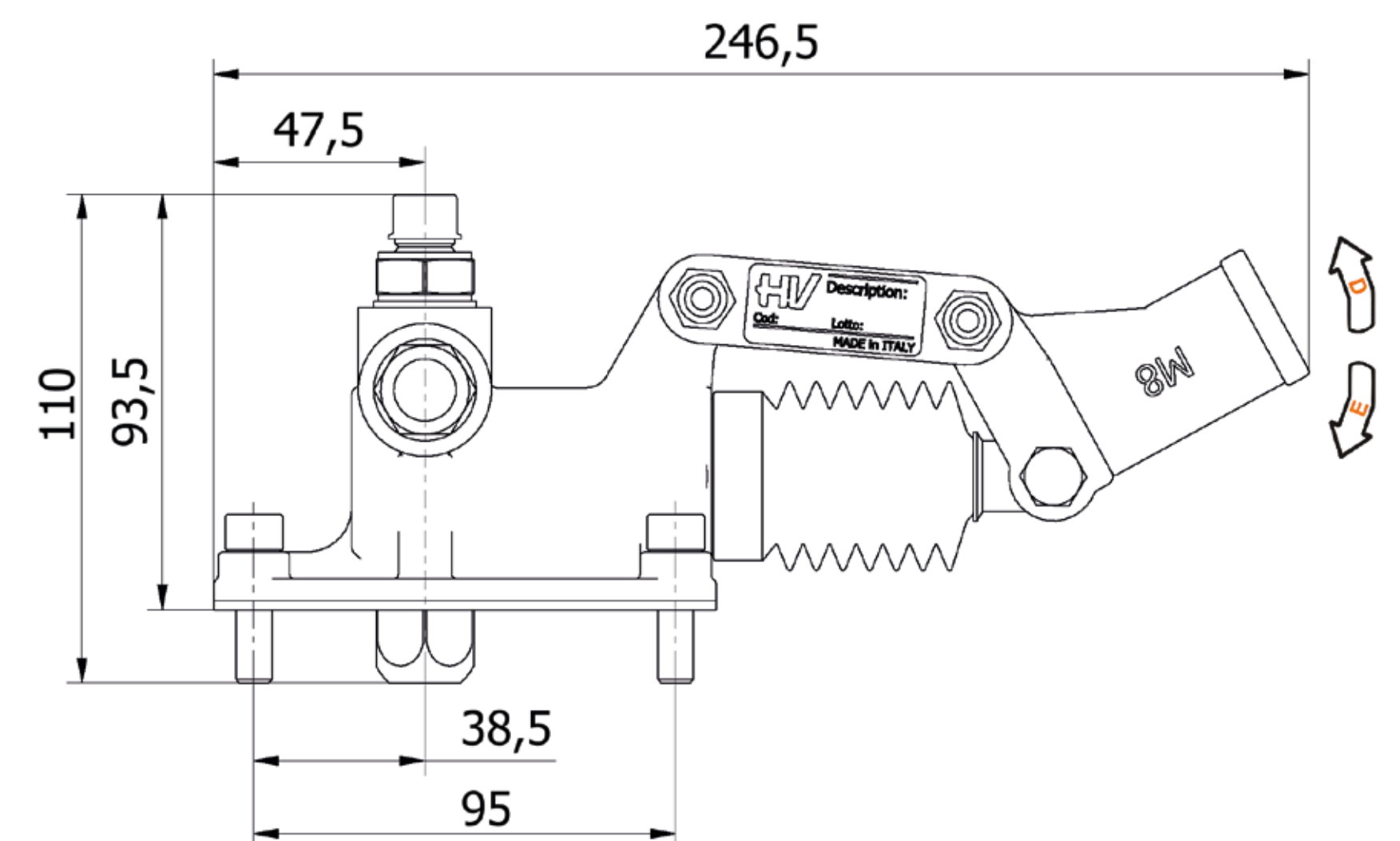
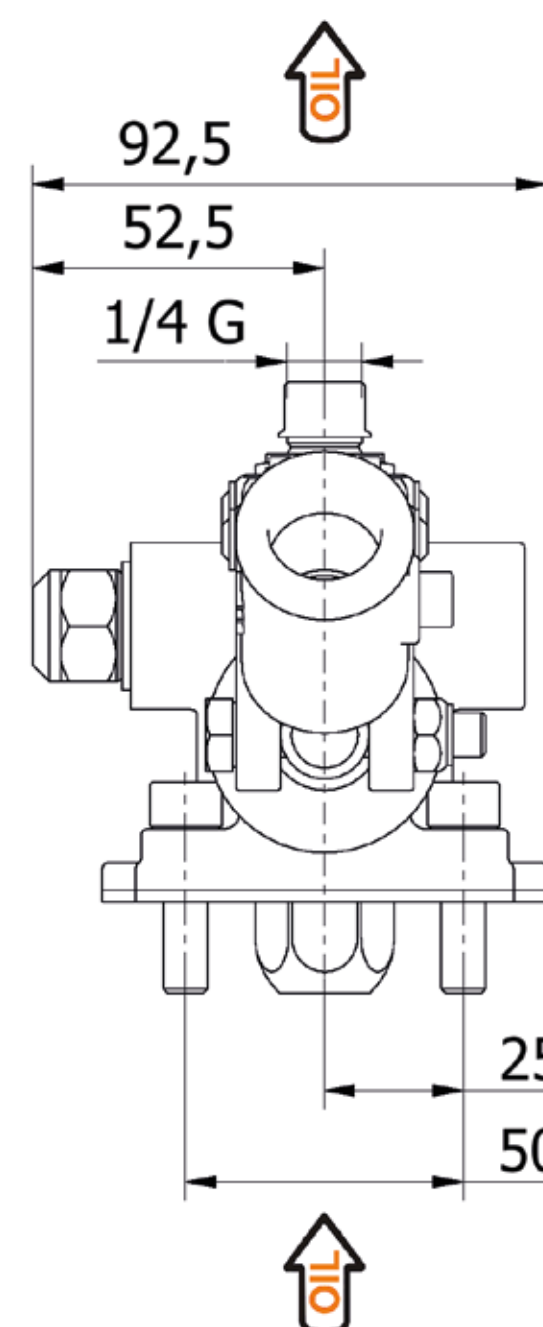
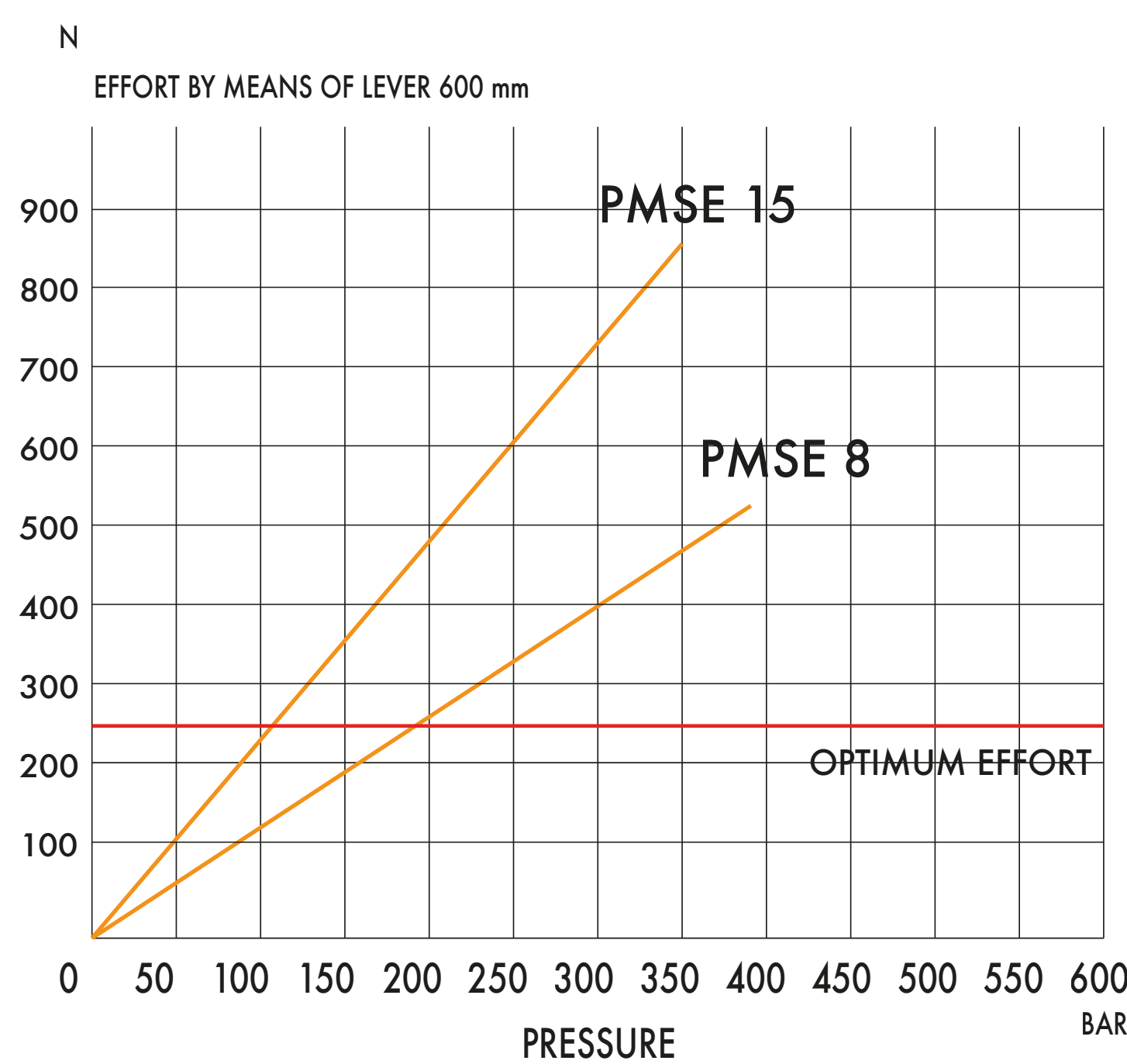
Pressure relief valve standard setting: **100 bar**



On Demand ATEX Certificates

I I2G Ex h IIB TX Gb  
I I2D Ex h IIB TX Db

EFFORT DIAGRAM



DISPLACEMENT cm <sup>3</sup>	A mm	B mm	C mm	D °	E °	ACTUAL DISPLACEMENT cm <sup>3</sup>	PRESSURE BAR		MASS KG	CODE
							OPTIMAL	MAX		
8	--	--	--	30	26	8,042	180	380	3,200	6065.0040
15	--	--	--	30	26	15,205	110	350	3,200	6066.0040



HV Hydraulic s.r.l. | Take YOU to another WORLD

Head Office  
Via dell'Agricoltura, 162 Loc. Castello di Serravalle  
40053 VALSAMOGGIA (BO) Italy

Warehouse  
Via del Lavoro, 111 e 135 Loc. Castello di Serravalle  
40053 VALSAMOGGIA (BO) Italy